



ML-190HS

Service Manual

Phase 6

Microprocessor Controls

American Dryer Corporation
88 Currant Road
Fall River, MA 02720-4781
Telephone: (508) 678-9000 / Fax: (508) 678-9447
E-mail: techsupport@amdry.com

Retain This Manual In A Safe Place For Future Reference

American Dryer Corporation products embody advanced concepts in engineering, design, and safety. If this product is properly maintained, it will provide many years of safe, efficient, and trouble-free operation.

ONLY qualified technicians should service this equipment.

OBSERVE ALL SAFETY PRECAUTIONS displayed on the equipment or specified in the installation/operator's manual included with the dryer.

The following “**FOR YOUR SAFETY**” caution **must be** posted near the dryer in a prominent location.

FOR YOUR SAFETY

Do not store or use gasoline or other flammable vapors or liquids in the vicinity of this or any other appliance.

POUR VOTRE SÉCURITÉ

Ne pas entreposer ni utiliser d'essence ni d'autres vapeurs ou liquides inflammables dans le voisinage de cet appareil ou de tout autre appareil.

We have tried to make this manual as complete as possible and hope you will find it useful. **ADC** reserves the right to make changes from time to time, without notice or obligation, in prices, specifications, colors, and material, and to change or discontinue models.

Important

For your convenience, log the following information:

DATE OF PURCHASE _____ MODEL NO. **ML-190HS** _____

DISTRIBUTORS NAME _____

Serial Number(s) _____

Replacement parts can be obtained from your distributor or the **ADC** factory. When ordering replacement parts from the factory, you can FAX your order to **ADC** at (508) 678-9447 or telephone your orders directly to the **ADC** Parts Department at (508) 678-9000. Please specify the dryer **model number** and **serial number** in addition to the **description** and **part number**, so that your order is processed accurately and promptly.

The illustrations on the following pages may not depict your particular dryer exactly. The illustrations are a composite from the various dryer models. Be sure to check descriptions of the parts thoroughly before ordering.

“IMPORTANT NOTE TO PURCHASER”

Information must be obtained from your local gas supplier on the instructions to be followed if the user smells gas. These instructions must be posted in a prominent location near the dryer.

IMPORTANT

YOU MUST DISCONNECT and LOCKOUT THE ELECTRIC SUPPLY and THE GAS SUPPLY or THE STEAM SUPPLY BEFORE ANY COVERS or GUARDS ARE REMOVED FROM THE MACHINE TO ALLOW ACCESS FOR CLEANING, ADJUSTING, INSTALLATION, or TESTING OF ANY EQUIPMENT per OSHA (Occupational Safety and Health Administration) STANDARDS.

FOR YOUR SAFETY

DO NOT STORE OR USE GASOLINE OR OTHER FLAMMABLE VAPOR AND LIQUIDS IN THE VICINITY OF THIS OR ANY OTHER APPLIANCE.

DO NOT DRY MOP HEADS IN THE DRYER.

DO NOT USE DRYER IN THE PRESENCE OF DRY CLEANING FUMES.

CAUTION

DRYERS SHOULD NEVER BE LEFT UNATTENDED WHILE IN OPERATION.

WARNING

CHILDREN SHOULD NOT BE ALLOWED TO PLAY ON OR NEAR THE DRYERS.

CHILDREN SHOULD BE SUPERVISED IF NEAR DRYER(S) IN OPERATION.

WARNING

The dryer must never be operated with any of the back guards, outer tops, or service panels removed. PERSONAL INJURY or FIRE COULD RESULT.

WARNING

DRYER MUST NEVER BE OPERATED WITHOUT THE LINT FILTER OR SCREEN IN PLACE, EVEN IF AN EXTERNAL LINT COLLECTION SYSTEM IS USED.

IMPORTANT

PLEASE OBSERVE ALL SAFETY PRECAUTIONS displayed on the equipment and specified in the installation and operator's manual included with the dryer.

Dryers **must not** be installed or stored in an area where it will be exposed to water or weather.

The wiring diagram for the dryer is located in the front electrical control box area.

Table of Contents

SECTION I

IMPORTANT INFORMATION	3
A. Safety Precautions	3

SECTION II

ROUTINE MAINTENANCE	5
A. Cleaning	5
B. Adjustments	6
C. Lubrication	6

SECTION III

INSTALLATION REQUIREMENTS	7
A. Enclosure, Air Supply, and Exhaust Requirements	7
B. Electrical and Gas Requirements	7
C. Operational Service Check Procedure	8

SECTION IV

DESCRIPTION OF PARTS	10
A. Control Panel (Microprocessor)	10
B. Control Box	10
C. HSI Module (Gas Models Only)	10
D. Gas Burner Assembly	11
E. Drive Motor	11
F. Blower Motor and Impellor (Gas and Steam)	11
G. Speed Reducing Shaft	12
H. Tumbler (Basket) Bearing Arrangement	12
I. Tumbler (Basket)	12
J. Main Door Switch	13
K. Sail Switch (Gas Models Only)	13
L. Hi-Limit (Gas Models Only)	13
M. Manual Reset Thermostat	14
N. Lint Drawer	14
O. Lint Drawer Switch	14
P. Steam Damper System	15
Q. Compressed Air Requirements	15

SECTION V	
SERVICING	16
A. Computer Controls	17
B. Ignition Controls	18
C. Thermostats	21
D. Sail Switch Assembly (Gas Models Only)	23
E. Front Panel and Main Door Assemblies	23
F. Pulleys	25
G. Tumbler (Basket) Alignment	28
H. Bearings	29
I. Basket and Support	32
J. V-Belts	32
K. Motors	34
L. Impellor	35
M. Lint Drawer Assembly	35
SECTION VI	
TROUBLESHOOTING	37
SECTION VII	
ELECTRICAL TROUBLESHOOTING	41
SECTION VIII	
PHASE 6 OPL SYSTEM DIAGNOSTICS	42
A. Diagnostic (L.E.D. [light emitting diode] Display) Failure Codes	42
B. L.E.D. (light emitting diode) Display Indicators	44
C. Phase 6 OPL Microprocessor Controller Relay Output L.E.D. (light emitting diode) Indicators ...	45
SECTION IX	
L.E.D. DISPLAY/CODES	46
A. L.E.D. (light emitting diode) Display Operating Status	46
B. Phase 6 OPL Microprocessor L.E.D. (light emitting diode) Displays	47
C. L.E.D. Codes	48
D. Computer Logic and Wiring Diagram	49
SECTION X	
TECHNICAL INFORMATION	55
A. Motor Plate (High and Low Voltage)	55
B. Data Label	56
C. Using a Manometer	57
D. Tool List	58

SECTION I

IMPORTANT INFORMATION

A. SAFETY PRECAUTIONS

1. **DO NOT** store or use gasoline or other flammable vapors and liquids in the vicinity of this or any other appliance.
2. Purchaser/user should consult the local gas supplier for proper instructions to be followed in the event the user smells gas. The instructions **should be** posted in a prominent location.
3. Dryer **must be** exhausted to the outdoors.
4. Although **ADC's** dryer is a very versatile machine, there are some articles, that due to fabric composition or cleaning method, **should not be** dried in it.

WARNING: Dry only water-washed fabrics. **DO NOT** dry articles spotted or washed in dry cleaning solvents, a combustible detergent, or "all purpose" cleaners.
FIRE or EXPLOSION COULD RESULT.

WARNING: **DO NOT** dry rags or articles coated with gasoline, kerosene, paint, or wax.

WARNING: **DO NOT** dry mop heads. Contamination by wax or flammable solvents will create a fire hazard.

WARNING: **DO NOT** use heat for drying articles that contain plastic, foam, sponge rubber, or similarly textured rubberlike materials. Drying in a heated tumbler (basket) may damage plastic or rubber and also may be a fire hazard.

5. A program **should be** established for the inspection and cleaning of lint in the burner area and exhaust duct work. The frequency of cleaning can best be determined from experience at each location.

WARNING: The collection of lint in the burner area and exhaust duct work can create a potential fire hazard.

6. For personal safety, the dryer **must be** electrically grounded in accordance with local codes and/or the National Electrical Code ANSI/NFPA No. 70-LATEST EDITION.

NOTE: Failure to do so will VOID THE WARRANTY.

7. **UNDER NO CIRCUMSTANCES** should the dryer door or lint drawer switch(es) or heat safety devices ever be disabled.

WARNING: PERSONAL INJURY or FIRE COULD RESULT.

- Articles **should never be** left unattended for an extended period of time in the tumbler (basket) after completion of the drying and cooling cycles.

WARNING: ARTICLES LEFT IN THE DRYER AFTER THE DRYING and COOLING CYCLES HAVE BEEN COMPLETED CAN CREATE A FIRE HAZARD.

- This dryer is not to be used in the presence of dry cleaning solvents or fumes.
- Read and follow **ALL** caution and direction labels attached to the dryer.

WARNING: CHILDREN **SHOULD NOT BE** ALLOWED TO PLAY ON or IN THE DRYER(S). CHILDREN **SHOULD BE** SUPERVISED IF NEAR DRYER(S) IN OPERATION.

- DO NOT** operate dryers with more than 125 PSI steam pressure. Excessive steam pressure can damage steam coil and/or harm personnel.
- Replace leaking flexible steam hoses or other steam fixtures immediately. **DO NOT** operate dryer with leaking flexible hoses. Personal injury may result.

SECTION II

ROUTINE MAINTENANCE

A. CLEANING

A program and/or schedule **should be** established for periodic inspection, cleaning, and removal of lint from various areas of the dryer, as well as throughout the duct work system. The frequency of cleaning can best be determined from experience at each location. Maximum operating efficiency is dependent upon proper air circulation. The accumulation of lint can restrict this airflow. If the guidelines in this section are met, an ADC dryer will provide many years of efficient, trouble free, and – most importantly – safe operation.

WARNING: LINT FROM MOST FABRICS IS HIGHLY COMBUSTIBLE. THE ACCUMULATION OF LINT CAN CREATE A POTENTIAL FIRE HAZARD.

WARNING: KEEP DRYER AREA CLEAR and FREE FROM COMBUSTIBLE MATERIALS, GASOLINE, and OTHER FLAMMABLE VAPORS and LIQUIDS.

NOTE: Suggested time intervals shown for average usage which is considered six (6) to eight (8) operational (running) hours per day.

Clean lint drawer/screen every third or fourth load.

NOTE: Frequency can best be determined at each location.

DAILY

(beginning) of each work shift.

Clean lint from the drawer/screen. Inspect lint screen and replace if torn.

WEEKLY

Clean lint accumulation from lint chamber, thermostat, and microprocessor temperature sensor (sensor bracket) area.

WARNING: To avoid the hazard of electrical shock, discontinue electrical supply to dryer.

STEAM DRYERS

Clean steam coil fins using compressed air and a vacuum cleaner with brush attachment.

NOTE: When cleaning steam coil fins, be careful not to bend the fins. If fins are bent, straighten by using a fin comb which is available from local air conditioning supply houses.

90 DAYS

Remove lint from tumbler (basket), drive motors, and surrounding areas. Remove lint from gas valve burner area with a dusting brush or vacuum cleaner attachment.

NOTE: To prevent damage, avoid cleaning and/or touching ignitor/flame-probe assembly.

Remove lint accumulation from inside control box and at rear area behind control box.

6 MONTHS

Inspect and remove lint accumulation in customer furnished exhaust duct work system and from dryer's internal exhaust ducting.

WARNING: THE ACCUMULATION OF LINT IN THE EXHAUST DUCT WORK CAN CREATE A POTENTIAL FIRE HAZARD.

WARNING: DO NOT OBSTRUCT THE FLOW OF COMBUSTION and VENTILATION AIR. CHECK CUSTOMER FURNISHED BACK DRAFT DAMPER IN EXHAUST DUCT WORK. INSPECT and REMOVE ANY LINT ACCUMULATION WHICH CAN CAUSE DAMPER TO BIND or STICK.

NOTE: A back draft damper that is sticking partially closed can result in slow drying and shut down of the heat circuit safety switches or thermostats.

NOTE: When cleaning dryer cabinet(s), avoid using harsh abrasives. A product intended for the cleaning of appliances is recommended.

B. ADJUSTMENTS

7 DAYS AFTER INSTALLATION and EVERY 6 MONTHS

Inspect bolts, nuts, screws, (bearing set screws), nonpermanent gas connections (unions, shut-off valves, orifices, and grounding connections). Motor and drive belts **should be** examined. Cracked or seriously frayed belts **should be** replaced. Tighten loose V-belts when necessary. Complete operational check of controls and valves. Complete operational check of **ALL** safety devices (door switch, lint drawer switch, sail switch, burner and hi-limit thermostats).

C. LUBRICATION

The motor bearings, idler bearings...and under normal/most conditions the tumbler bearings are permanently lubricated. It is physically possible to re-lubricate the tumbler bearings if you choose to do so even though this practice *is not necessary*. Use Shell Alvania #3 or its equivalent. The tumbler bearings used in the dryer **DO NOT HAVE** a grease fitting. Provisions are made in the bearing housing for the addition of a grease fitting which can be obtained elsewhere, or from **ADC** by ordering kit Part No. 882159, which includes two (2) fittings.

SECTION III

INSTALLATION REQUIREMENTS

Installation **should be** performed by competent technicians in accordance with local and state codes. In the absence of these codes, installation **must conform** to applicable AMERICAN NATIONAL STANDARDS:

ANSI Z223.1-LATEST EDITION National Fuel Gas Code
and/or
ANSI/NFPA No. 70-LATEST EDITION National Electrical Code

A. ENCLOSURE, AIR SUPPLY, and EXHAUST REQUIREMENTS

NOTE: The following information is very brief and general. For detailed description, refer to the “ML-190 Installation Manual” (ADC P/N 113070).

Bulkheads and partitions around the dryer **should be** made of noncombustible materials. Allowances **should be** made for the opening and closing of the control door and lint drawer. Also, allowances **should be** made in the rear for ease of maintenance. (Refer to appropriate Installation Manual for recommended distances and minimum allowances required.)

When the dryer is operating, it draws in room air, heats it, passes this air through the tumbler (basket), and exhausts it out of the building. Therefore, the room air **must be** continually replenished from the outdoors. If the make-up air is inadequate, drying time and drying efficiency will be adversely affected. Ignition problems and sail switch “fluttering” problems on gas dryers may result, and you also could have premature motor failure from overheating. The air supply **must be** given careful consideration to insure proper performance of each dryer.

IMPORTANT: Make-up air **must be** provided from a source free of dry cleaning fumes. Make-up air that is contaminated by dry cleaning fumes will result in irreparable damage to motors and other dryer components.

Exhaust duct work **should be** designed and installed by a competent technician. Improperly sized duct work will create excessive back pressure which will result in slow drying, increased use of energy, and shut down of the burner by the airflow (sail) switch, burner hi-limit or lint chamber hi-heat protector thermostat. (Refer to appropriate Installation Manual for more details.)

CAUTION: IMPROPERLY SIZED or INSTALLED EXHAUST DUCT WORK CAN CREATE A POTENTIAL FIRE HAZARD.

B. ELECTRICAL and GAS REQUIREMENTS

It is your responsibility to have **ALL** electrical connections made by a properly licensed and competent electrician to assure that the electrical installation is adequate and conforms with local and state regulations or codes. In the absence of such codes, **ALL** electrical connections, material, and workmanship **must conform** to the applicable requirements of the National Electrical Code ANSI/NFPA No. 70-LATEST EDITION.

IMPORTANT: Failure to comply with these codes or ordinances and/or the requirements stipulated in this manual can result in personal injury or component failure.

The gas dryer installation **must meet** the AMERICAN NATIONAL STANDARD, NATIONAL FUEL GAS CODE ANSI Z223.1-LATEST EDITION, as well as, local codes and ordinances, and **must be** done by a qualified technician.

NOTE: Undersized gas piping will result in ignition problems and slow drying and can create a safety hazard.

The dryer **must be** connected to the type of gas (natural or L.P.) indicated on the dryer data label. If this information does not agree with the type of gas available, contact the distributor who sold the dryer or contact the factory.

The gas input ratings shown on the dryer data label are for elevations up to 2,000 feet, unless elevation requirements of over 2,000 feet were specified at the time the dryer order was placed with the factory. The adjustment for dryers in the field for elevations over 2,000 feet are made by changing the burner orifices. If this adjustment is necessary, contact the distributor who sold the dryer or contact the factory.

NOTE: Any burner changes **must be** made by a qualified technician.

C. OPERATIONAL SERVICE CHECK PROCEDURE

1. Turn on electric power to the dryer.
2. To start dryer:
 - a. Display will read "READY."
 - b. Press "E" on the keyboard (touchpad) of microprocessor controller (computer).
 - c. The dryer will start, and the display will show "Drying Manual Cycle E," "Dry Temp _," "Cool Temp _," "30 Min Remain."

NOTE: Pressing keyboard (touchpad) "A," "B," "C," "D," and "F" will also start the dryer. Six (6) preprogrammed drying cycles ("A" through "F") have been stored in the computer's memory. (Refer to Computer Operator's Manual for details.)

3. Make a complete operational check of **ALL** the operating controls to assure that the timing is correct, temperature selection switches are functioning, etc.
4. Make a complete operational check of **ALL** safety-related circuits: door switch(es), hi-limit thermostat, sail switch, cycling thermostats, etc.
5. For gas dryers a gas pressure test **should be** taken at the gas valve pressure tap of each dryer to assure that the water column pressure is correct and consistent.

NOTE: Water column pressure requirements (measured at the pressure tap on the gas valve body):

Natural Gas - 3.5 Inches Water Column.

L.P. Gas - 10.5 Inches Water Column.

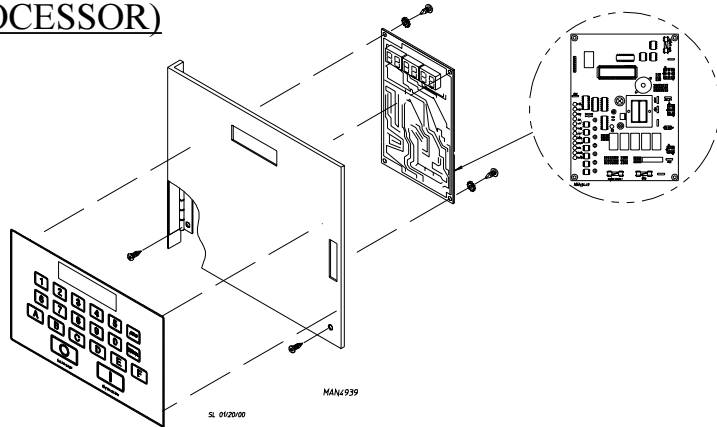
6. If computer program changes are required, refer to the Phase 6 OPL Operator's Manual (ADC Part No. 113022) for details.
7. The dryer **should be** operated through one complete cycle to assure that no further adjustments are necessary and that **ALL** components are functioning properly.
8. Check the electric service phase sequence. While the dryer is operating, check to see if the blower wheel is rotating in the proper direction. Looking from the front, the blower wheel should spin in the clockwise (CW) direction. If so, the phasing is correct. If the phasing is incorrect, reverse two (2) leads at connections L1, L2, or L3 of power supply to the dryer.

SECTION IV

DESCRIPTION OF PARTS

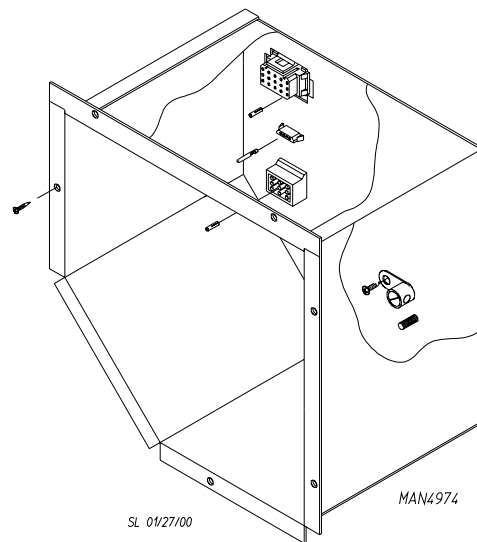
A. CONTROL PANEL (MICROPROCESSOR)

Lifting the control door will reveal the control panel assembly. Opening the control panel will allow access to the major components which include the computer board and keyboard (touchpad). The keyboard (touchpad) inputs to the computer what temperature and program has been selected. The computer controls the entire operation of the machine. It accepts inputs and gives outputs to various parts throughout the machine.



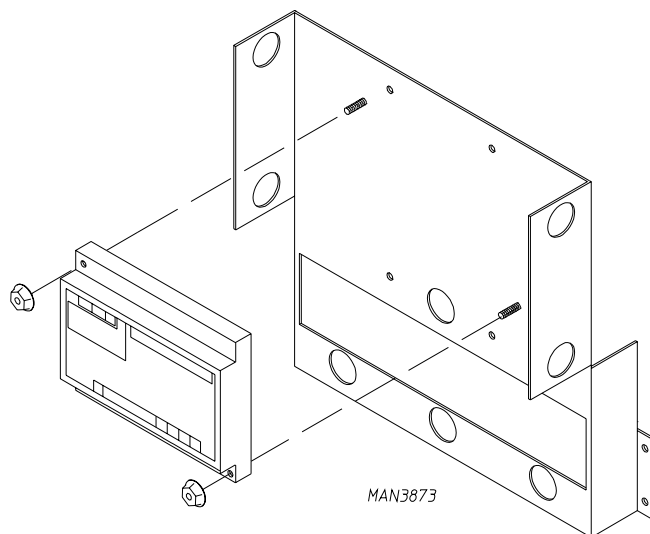
B. CONTROL BOX

Lifting the control door and opening the computer panel will reveal the control box. Inside the control box are **ALL** the electronic control components. Located on the back of the control box is the computer. Included in the control box are the 30-position terminal block, fuse block, and transformer.



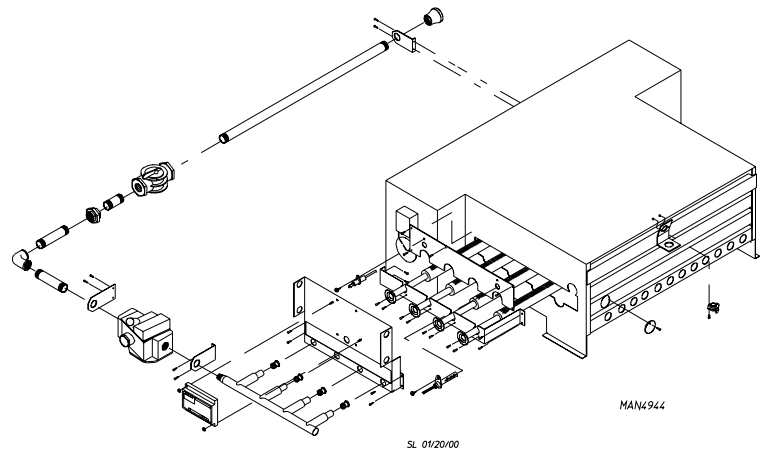
C. HSI MODULE (Gas Models ONLY)

The HSI (Hot Surface Ignition) system consists of a microprocessor-based control module, along with an ignitor and flame-probe assembly. This control utilizes a HSI (Hot Surface Ignition) ignitor and a rectified flame sensor/probe signal to locally control **ALL** basic functions in the gas burner.



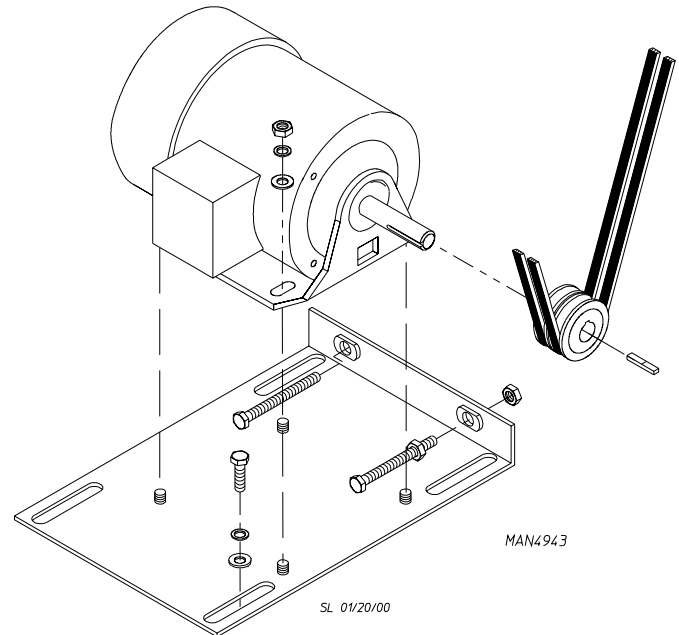
D. GAS BURNER ASSEMBLY

Gas-heated dryers are equipped with a gas burner assembly consisting of four (4) burner tubes, gas valve, HSI (Hot Surface Ignitor), flame probe, sail switch, and hi-limit thermostat. The inlet piping enters through the rear of the dryer on the left-hand side (viewing from the front) and runs to the front of the dryer where the gas valve is located.



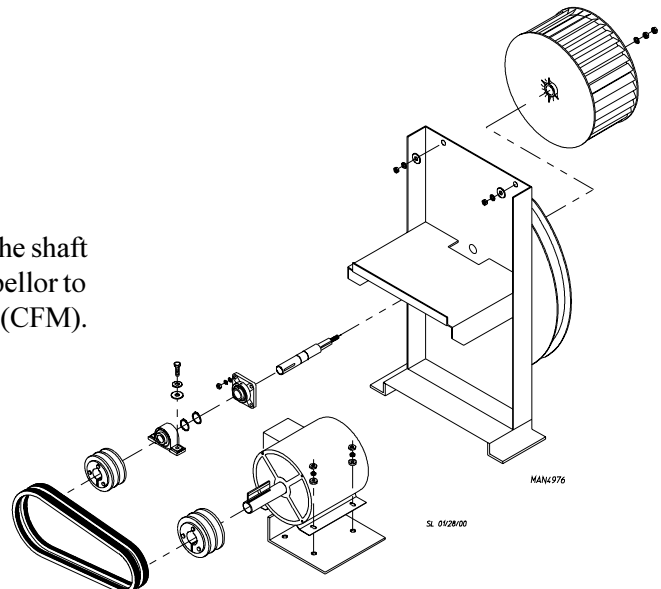
E. DRIVE MOTOR

The T.E.F.C. (Totally Enclosed, Fan-Cooled) drive motor is located approximately in the right front hand corner of the dryer. It sits on an adjustable base so that the motor can be easily adjusted to the left or right. The drive motor is a 3 HP motor and operates on 208 to 460 volts, 50/60 Hz, 3-phase (3 ϕ).



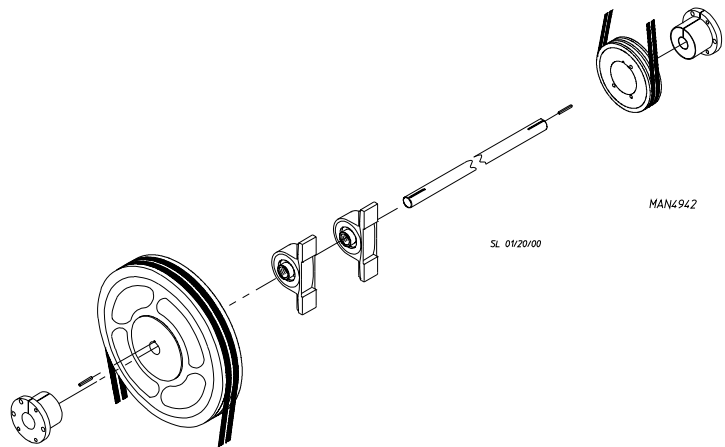
F. BLOWER MOTOR and IMPELLOR (GAS and STEAM)

The impellor is shaft driven. The blower motor drives the shaft on which the impellor is mounted. This enables the impellor to run at a higher RPM, thereby producing a higher airflow (CFM).



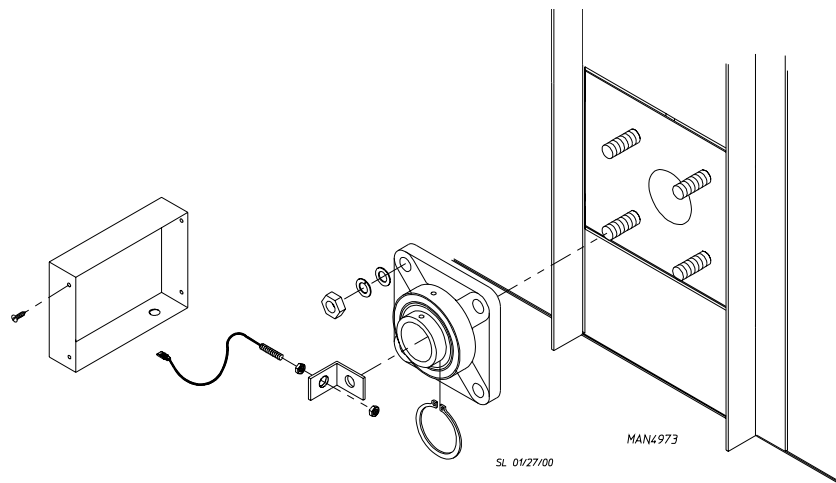
G. SPEED REDUCING SHAFT

(Viewing from the front of the dryer). The speed reducing shaft is located on the right side and is right above the drive motor. The idler assembly consists of two (2) idler pulleys, the small and large pulleys. The idler's main purpose is to reduce the speed and increase torque provided to the tumbler (basket) bearing. Also, at the idler assembly, belt tension can be adjusted.



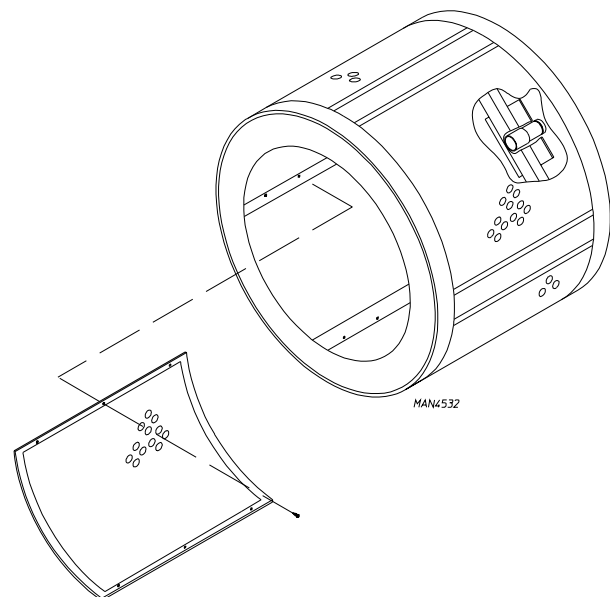
H. TUMBLER (BASKET) BEARING ARRANGEMENT

The tumbler (basket) bearing arrangement is located (viewing from the rear of the dryer) approximately at the upper center of the dryer. The arrangement consists of a bearing cap, rotational sensor and a flange bearing which serve to support the tumbler (basket).



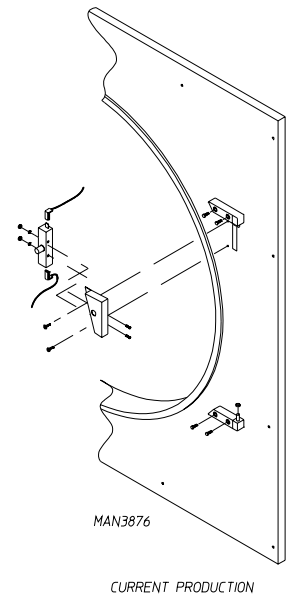
I. TUMBLER (BASKET)

The tumbler (basket) consists of four (4) ribs and four (4) perforated panels, along with a front and back, which are welded together as an assembly. The (tumbler [basket]) also consists of a trunnion, which supports the tumbler (basket) in the rear.



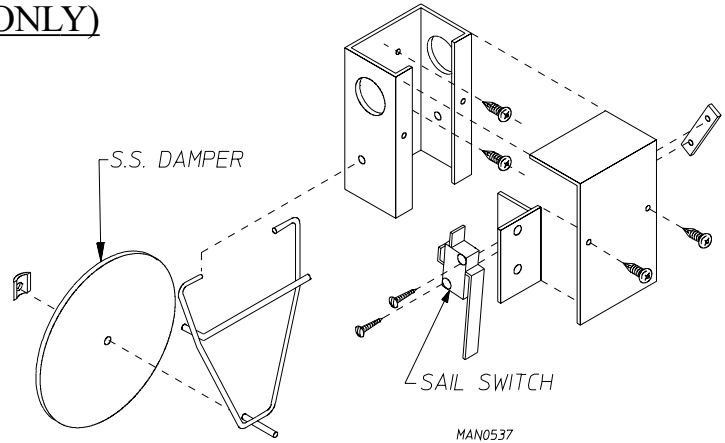
J. MAIN DOOR SWITCH

The main door switch is located near the main door hinge. When the main door opens, the switch will also open, preventing the dryer from operating. The main door switch is a safety device and **should never be disabled**.



K. SAIL SWITCH (GAS MODELS ONLY)

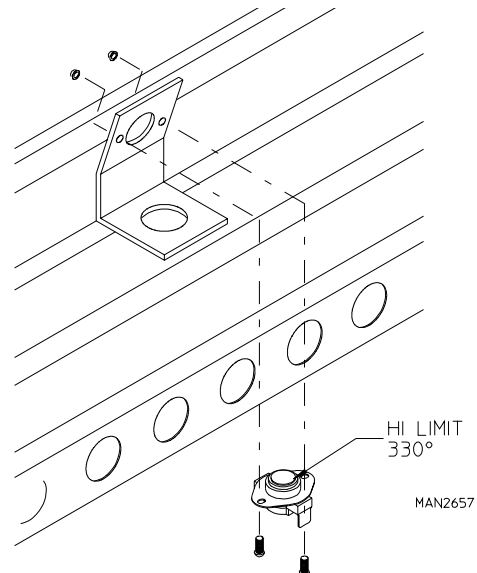
The sail switch is located on the front of the burner box. A sail switch consists of a round damper plate on a lever arm which is in contact with an electric switch. When the air blower comes on, it draws air through the gas burner. This creates a negative pressure inside the burner box, and this negative pressure pulls in the round damper and activates the sail switch. If there is improper airflow, the damper will not pull in, preventing the burner from starting.



Improper airflow can be caused by improperly designed exhaust ducting where the duct run is too long or has too many sharp bends in it. It can also be caused by a lack of make-up air.

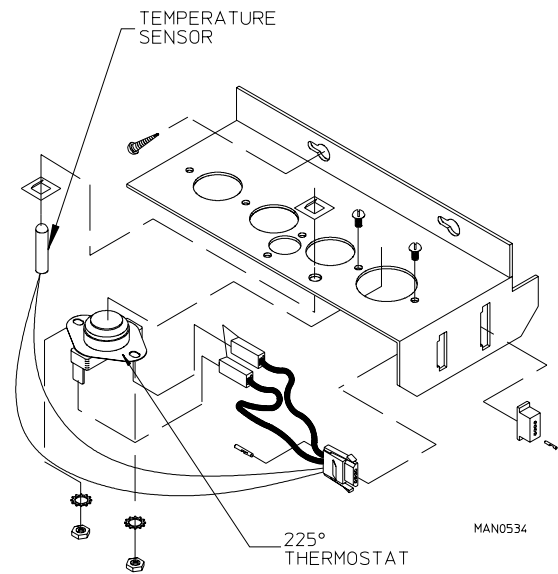
L. HI-LIMIT (GAS MODELS ONLY)

A hi-limit thermostat is located at the burner. This is a manual reset disc-type thermostat set at 330° F. If the flame in the burner should get too hot, this thermostat will shut off the burner. This is generally caused by low airflow through the dryer. The heat will not ignite/fire unless this manual reset thermostat is reset.



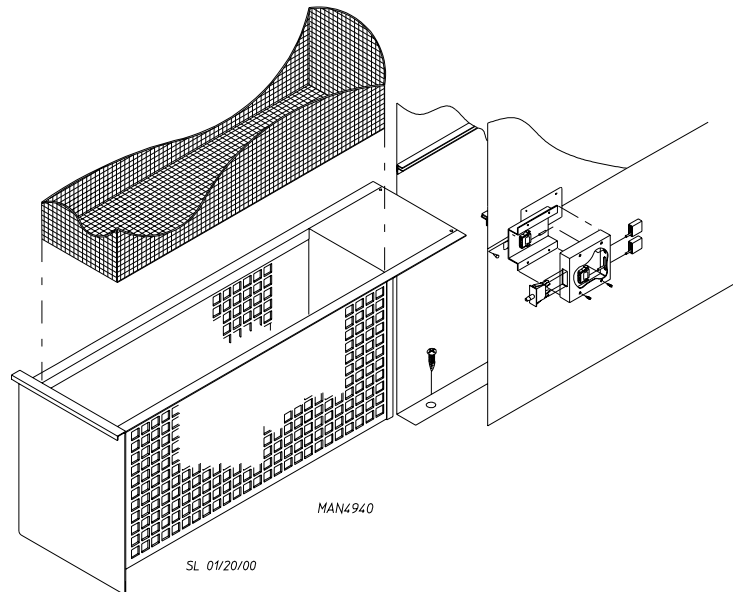
M. MANUAL RESET THERMOSTAT

This is located inside the dryer in the lint compartment above the lint drawer. This thermostat senses the heated air after it has passed through the tumbler (basket). If the air temperature gets too hot, the thermostat will shut off the burner. Tumbler (basket) and blower will run, but dryer will not heat until this thermostat is manually reset.



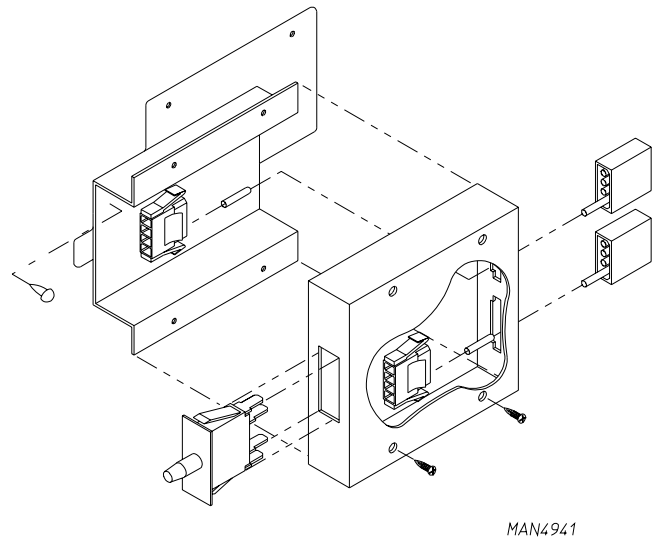
N. LINT DRAWER

The lint drawer is a pullout type and is located at the bottom of the dryer in the lint compartment. Simply grab the lint drawer handle, slide out the drawer, brush off the lint, and slide the drawer back in. The lint screen **must be** kept clean in order for the dryer to operate properly and efficiently.



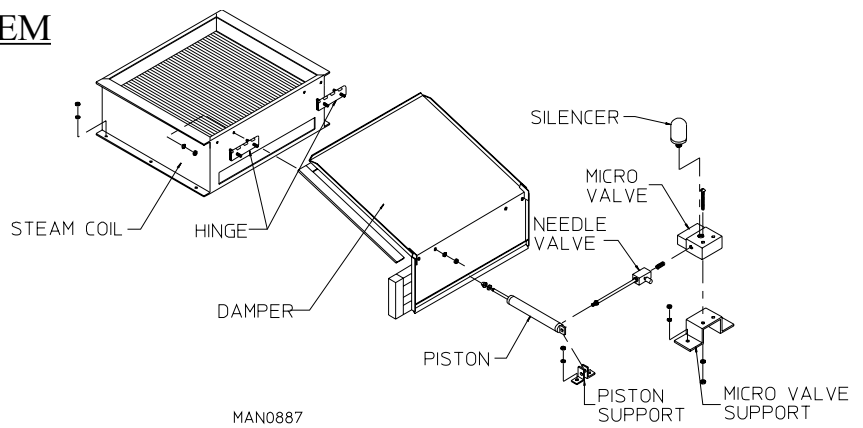
O. LINT DRAWER SWITCH

The lint drawer switch is located in the lint compartment and attached to the side of the lint drawer track. The lint drawer switch insures that the dryer will operate only when the lint drawer is completely closed. This is a safety device and **should never be** disabled.



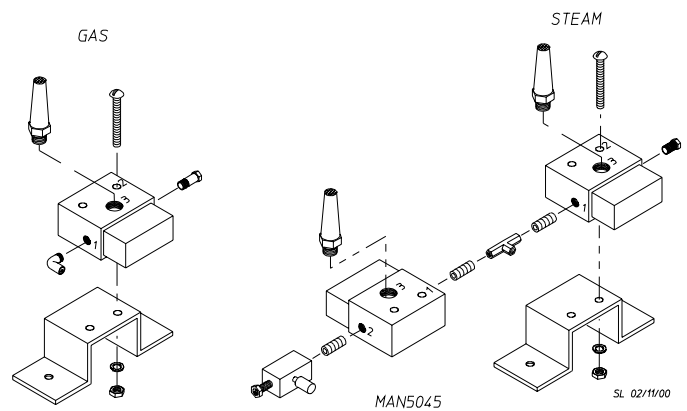
P. STEAM DAMPER SYSTEM

The newest type system is called the steam damper. It is shown to the right and it uses a piston with compressed air to open and close the steam damper which in turn allows the air to flow either through the coil for heat, or under the coil for cool down. Air supply is 80 PSI (+/- 10 PSI).



Q. COMPRESSED AIR REQUIREMENTS

The dryer requires an external supply of air (2.5 cfm @ 80 psi) on the steam models the air is necessary to operate the damper system. On both steam, as well as the gas model, the air is necessary/required for the blower air jet operation...to clean lint from the impellor/fan (squirrel cage type).



SECTION V

SERVICING

INTRODUCTION

ALL electrical/mechanical service or repairs **should be** made with the electrical power to the dryer disconnected (power off).

WARNING: PERSONAL INJURY COULD RESULT.

The information provided in this section **should not be** misconstrued as a device for use by an untrained person making repairs. Service work **should be** performed by competent technicians in accordance with local, state, and federal codes.

When contacting the factory for assistance, always have the dryer model and serial numbers available.

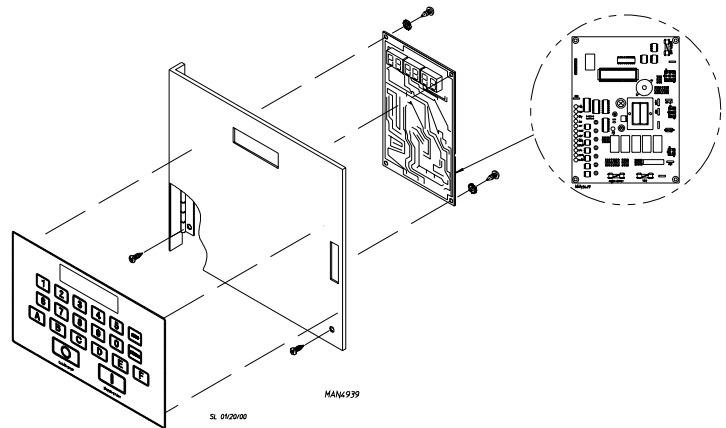
CAUTION: Observe **ALL** safety precautions displayed on the dryer or specified in this manual before and while making repairs.

Before considering replacement, make sure that **ALL** connectors are in place and making proper contact.

A. COMPUTER CONTROLS

To Replace Computer

1. Disconnect electrical power to the dryer.
2. Disconnect main power harness along with the three (3) other connectors located on the computer board, from rear of computer by squeezing locking tab and pulling connector straight back.
3. Disconnect the “green” ground wire and the air jet wire from the computer.
4. Disconnect keyboard (touchpad) ribbon from the computer.
5. Remove the two (2) securing the computer to the sheet metal control panel. Remove the board by pulling the other two (2) corners off the clinch studs.
6. Install new computer by reversing this procedure.
7. When replacing the computer, the “A” and “B” factors **must be** reprogrammed. (Refer to “Computer Operator’s Manual” for details.)

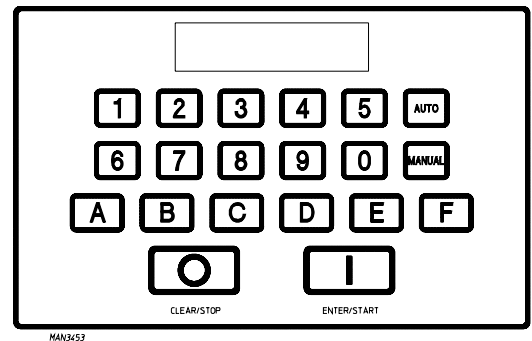


NOTE: The “A” and “B” factors are printed on a label located on the rear of the control panel (refer to illustration).

8. Reestablish electrical power to the dryer.

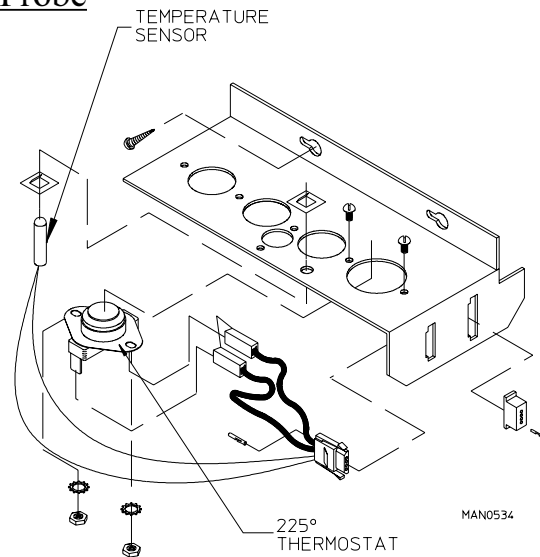
To Replace Keyboard (Touchpad) Label Assembly

1. Discontinue electrical power to the dryer.
2. Unplug keyboard (touchpad) ribbon from rear of computer.
3. Slowly peel off and remove keyboard (touchpad) label assembly from control panel.
4. Peel paper backing off new keyboard (touchpad) label assembly.
5. Holding the new keyboard (touchpad) label assembly close to the panel, insert the keyboard (touchpad) ribbon through the rectangular slot in the control panel. Align label assembly into position by matching the red viewing window on the label to the rectangular cutout in the panel and gently press into place.
6. Connect keyboard (touchpad) ribbon to the computer.
7. Reestablish electrical power to the dryer.



To Replace Microprocessor Temperature Sensor Probe

1. Discontinue electrical power to the dryer.
2. Remove lint drawer. Remove six (6) screws securing lint door and remove lint door.
3. Remove microprocessor sensor bracket assembly from dryer.
 - a. Disconnect sensor bracket harness connector.
 - b. Loosen the two (2) Phillips head screws securing bracket assembly to dryer and remove bracket from dryer.



NOTE: DO NOT remove screws.

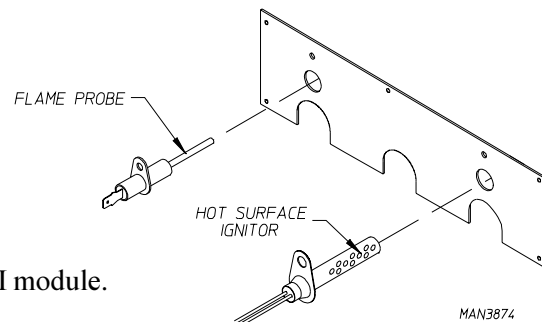
4. Disassemble sensor probe from bracket assembly by removing the top push-on fastener securing the probe from bracket. Use a small screwdriver to slowly pry the fastener off.
5. Disconnect the two (2) “orange” wires from the high heat (225° F) thermostat, and remove modular bracket connector, wires, and probe from bracket assembly.
6. Install new sensor probe assembly (**ADC P/N 880251**) by reversing procedure.
7. Reestablish electrical power to the dryer.

NOTE: If, when power is reestablished, the computer display reads “Temp Sensor Check Temp Sensor Fuse,” check for a loose connection in the wiring.

B. IGNITION CONTROLS

To Remove HSI (Hot Surface Ignition) Ignitor

1. Discontinue electrical power to the dryer.
2. Disconnect the two (2) “white” ignitor wires going to the HSI module.
3. Disassemble HSI ignitor from burner by removing the self tapping screw.
4. Reverse procedure for installing new ignitor.



C. TO REMOVE FLAME PROBE ASSEMBLY

1. Discontinue electrical power to the dryer.
2. Disconnect the “red” wire from the flame sensor probe which goes to S2 on the HSI module.
3. Disassemble flame sensor probe from burner by removing the self tapping screw.

4. Reverse procedure for installation of new flame sensor probe.

To Replace Gas Valve (Refer to burner illustration on **page 21**)

1. Discontinue electrical power to the dryer.
2. Close shut-off valve(s) in gas supply line.
3. Disconnect gas valve wiring.

NOTE: Identify location of each wire for correct reinstallation.

4. Break union connection before gas valve.
5. Loosen and remove screws (4) securing pipe brackets to burner.
6. Remove gas valve/manifold assembly from dryer.
7. Remove valve mounting bracket, manifold, and piping from gas valve.
8. Reverse procedure for installing new gas valve.

WARNING: Test ALL connections for leaks by brushing on a soapy water solution.

WARNING: NEVER TEST FOR LEAKS WITH A FLAME!!!

To Replace Main Burner Orifices

1. Refer to “To Replace Gas Valve” and follow *Step #1 through Step #6*.
2. Unscrew main burner orifices and replace.

NOTE: Use extreme care when removing and replacing orifices. These orifices are made of brass and are easily damaged.

3. Reversing the removal procedure for reinstalling.

NOTE: Test ALL connections for leaks by brushing on a soapy water solution.

WARNING: NEVER TEST FOR LEAKS WITH A FLAME!!!

To Test and Adjust Gas (Water Column) Pressure

There are two (2) types of devices commonly used to measure water column pressure. They are spring/mechanical-type gauges and manometers. The spring/mechanical-type gauge is not recommended, because it is easily damaged and not always accurate. A manometer is simply a glass or transparent plastic tube with a scale in inches. When filled with water and pressure applied, the water in the tube rises showing the exact water column pressure.

NOTE: Manometers are available from the factory by ordering **ADC P/N 122804**.

1. To Test Gas Water Column (W.C.) Pressure:

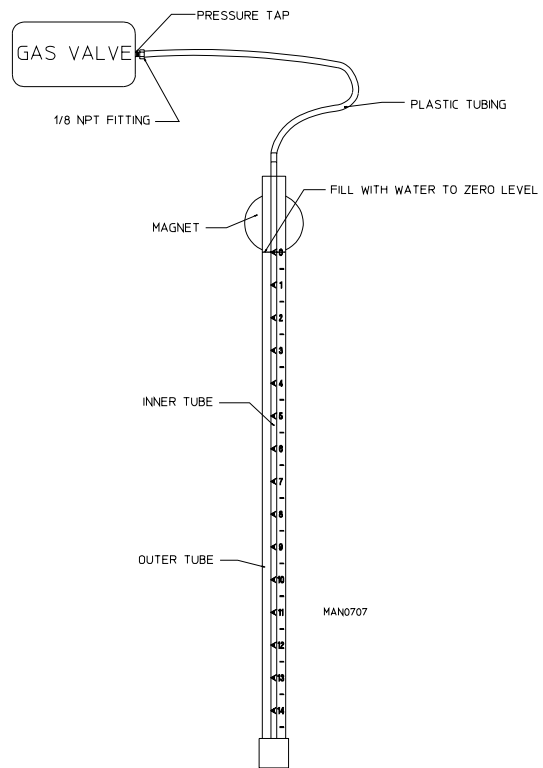
- a. Connect water column test gauge connection to gas valve pressure tap (1/8" NPT). This pressure tap is located on the outlet (manifold) side of the valve.
- b. Start dryer. With burner on, the correct water column reading in inches would be:

Natural Gas – 3.5 Inches Water Column

L.P. Gas – 10.5 Inches Water Column

2. To Adjust Water Column Pressure (natural gas only, L.P. gas **must be** regulated at source):

- a. Remove the slotted vent cap on the top of the valve.
- b. Turn the slotted adjustment screw located on the top of the valve next to the terminals. Turn clockwise (CW) to increase manifold pressure and counterclockwise (CCW) to decrease.



NOTE: If correct W.C. pressure **cannot** be achieved, problem may be due to an undersized gas supply line, a faulty or underrated gas meter, etc.

To Convert from Natural Gas to L.P. Gas

NOTE: **ALL** dryers are sold as natural gas, unless otherwise specified at the time the dryer order was placed. For L.P. gas the dryer **must be** converted as follows.

1. Refer to “Replace Gas Valve” and follow **Step #1 through Step #6**.
2. Remove the four (4) screws which secure the top cap assembly. This assembly contains the regulator adjustment screw and the terminal connections.
3. Replace the top cap assembly with the L.P. version.
4. Unscrew main burner orifices and replace with L.P. orifices.

NOTE: Use extreme care when removing and replacing orifices. These orifices are made of brass and are easily damaged.

5. Reverse the procedure for reinstalling valve assembly to the dryer.

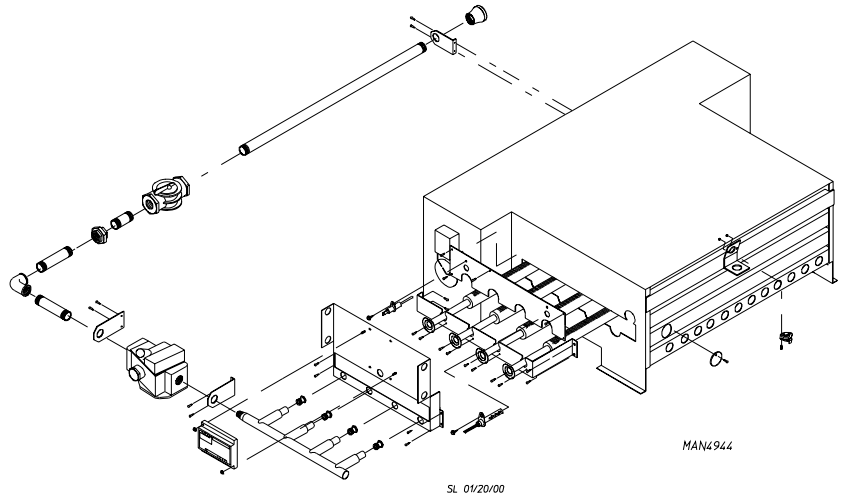
WARNING: Test **ALL** connections for leaks by brushing on a soapy water solution.

WARNING: NEVER TEST FOR LEAKS WITH A FLAME!!!

NOTE: There is no regulator provided in an L.P. dryer. The column pressure **must be** regulated at the source (L.P. tank) or an external regulator **must be** added to each dryer.

To Replace Burner Tubes

1. Refer to “Replace Gas Valve” and follow **Step #1 through Step #6**.
2. Remove four (4) screws securing manifold rest and remove rest.
3. Remove the screws securing the front flanges of the burner tubes to the burner tube rest.
4. Remove the screws securing the burner tube rest to the oven and remove this rest.
5. Remove screws securing the burner box cover plate to the oven and remove this plate.
6. Remove burner tubes by sliding them out.
7. Replace by reversing procedure.

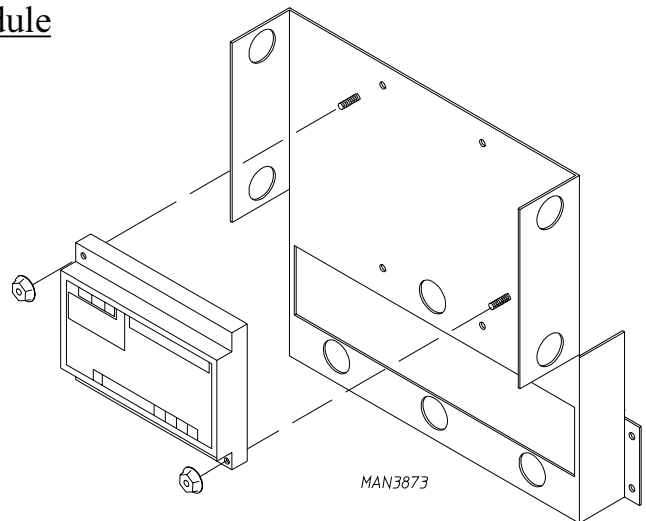


WARNING: Test ALL connections for leaks by brushing on a soapy water solution.

WARNING: NEVER TEST FOR LEAKS WITH A FLAME!!!

To Replace HSI (Hot Surface Ignition) Module

1. Discontinue electrical power to the dryer.
2. Remove the wires connected to the terminal strip at the bottom of the module.
3. Remove the two (2) pal nuts securing the module to the mounting bracket.
4. Replace module by reversing procedure.
5. Reestablish electrical power to the dryer.



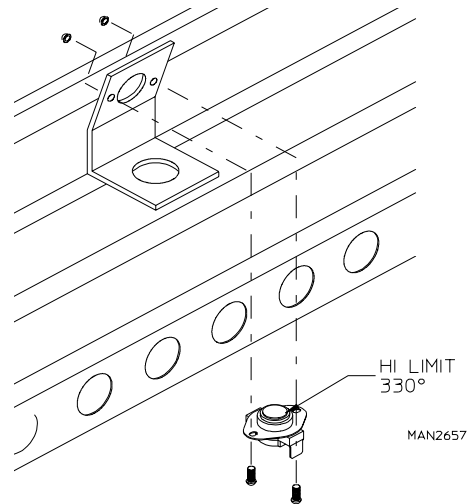
C. THERMOSTATS

To Replace Burner Hi-Limit Thermostat (Gas Models Only)

This thermostat is an important safety device serving as an added protection against failure of the airflow (sail switch) to open in the event of motor failure or reduced airflow condition.

IMPORTANT: UNDER NO CIRCUMSTANCES should heat circuit safety devices ever be disabled.

1. Discontinue electrical power to the dryer.
2. Disconnect wires from hi-limit thermostat.
3. Remove screw, washer, and nut securing thermostat to the bracket. Remove thermostat.
4. Reverse procedure for installing new thermostat.
5. Reestablish electrical power to the dryer.



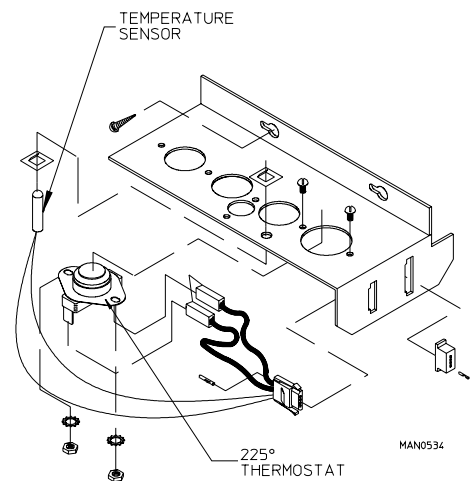
To Replace Lint Compartment Hi-Heat Protector (225° F) Thermostat

This thermostat is part of the “sensor bracket assembly” and is secured to the underside of the tumbler (basket) wrapper in the lint compartment. As a safety device, this thermostat will open (shut off) the heating unit circuit if an excessive temperature occurs. The dryer motors will remain on, even if the thermostat is open.

IMPORTANT: UNDER NO CIRCUMSTANCES should heat safety devices be disabled.

1. Discontinue electrical power to the dryer.
2. Remove lint drawer. Remove two (2) screws securing lint door and remove lint door.
3. Locate sensor bracket assembly and loosen the two (2) Phillips head screws securing bracket assembly to the tumbler (basket) wrapper.

NOTE: *DO NOT* remove the screws.



4. Remove bracket assembly by slightly sliding bracket towards the rear of the dryer and to the left.
5. Disconnect sensor bracket harness connector and remove bracket assembly from dryer.
6. Disconnect the two (2) “orange” wires from the thermostat.
7. Disassemble thermostat from bracket assembly by removing the two (2) mounting screws, washers, and nuts.
8. Reverse this procedure for installing a hi-heat protector thermostat.
9. Reestablish electrical power to the dryer.

NOTE: This is a manual reset thermostat. Before changing the thermostat make sure the reset button is in to determine if the thermostat has failed.

D. SAIL SWITCH ASSEMBLY (GAS MODELS ONLY)

The sail switch is a heat circuit safety device which controls the burner circuit only. When the dryer is operating and there is proper airflow, the sail switch damper pulls in and closes the sail switch. Providing **ALL** the other heat-related circuits are functioning properly, ignition **should now be** established. If an improper airflow occurs, the sail switch damper will release, and the circuit will open.

To Replace Sail Switch

1. Disconnect electrical power to the dryer.
2. Remove the two (2) screws which hold sail switch box cover to sail switch box.
3. Disconnect the two (2) wires from the switch.
4. Disassemble sail switch from mounting bracket by removing the two (2) screws securing switch in place.
5. Reverse this procedure for installing new sail switch. Adjust sail switch as described in the next section.

To Adjust Sail Switch

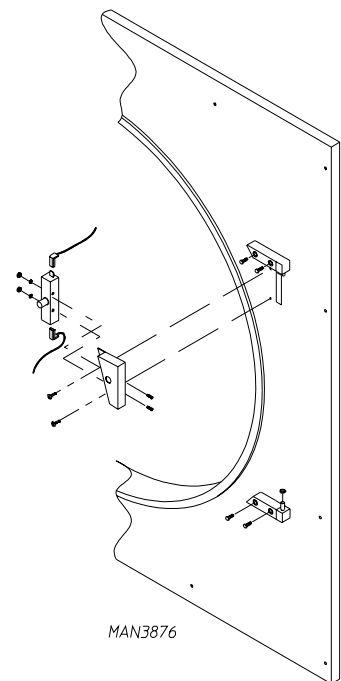
With the dryer operating at a high temperature setting, pull the sail switch away from the burner. The sail switch should open and extinguish the burner. Let the sail switch damper return to the burner wall. The sail switch should close to restart the burner ignition cycle. If the sail switch circuit does not operate as described, bend the actuator arm of the sail switch accordingly until proper operation is achieved. To check proper "open" position of sail switch, open main door, manually depress main door switch, and start dryer. With the main door open and the dryer operating, the sail switch **should be** open, and the burner should not come on.

CAUTION: *DO NOT* abort this switch by taping or screwing sail switch damper to burner. PERSONAL INJURY or FIRE COULD RESULT.

E. FRONT PANEL and MAIN DOOR ASSEMBLIES

To Replace Main Door Switch

1. Discontinue electrical power to the dryer.
2. Open main door.
3. Remove the two (2) Phillips head screws holding the main door switch bracket assembly in place.
4. Remove door switch bracket and disconnect wiring from switch.
5. Disassemble door switch from bracket by removing the two (2) #6-32 nuts. Remove door switch from bracket.
6. Reverse this procedure for installing new door switch.



CURRENT PRODUCTION

7. Reestablish electrical power to the dryer.

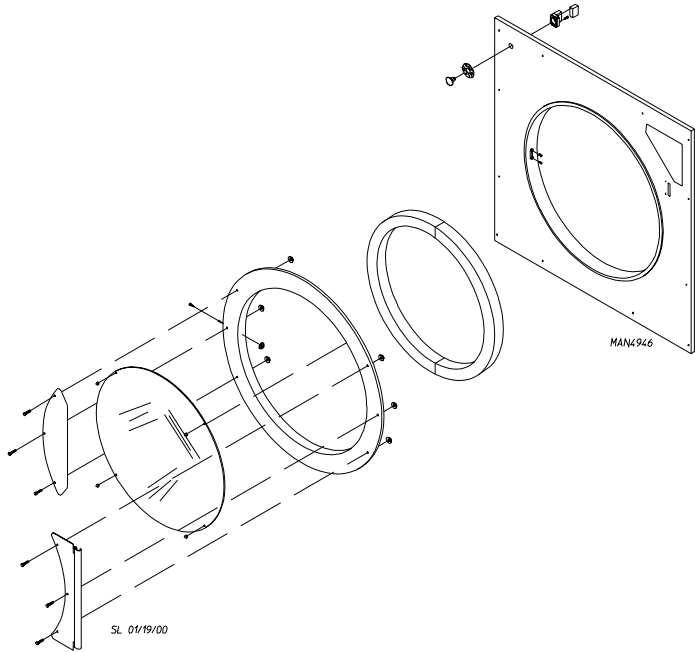
IMPORTANT: UNDER NO CIRCUMSTANCES should the door switch be disabled.

To Replace Main Door Assembly

1. Remove two (2) Allen head screws holding the top main door hinge block to the front panel.
2. Reverse this procedure for reinstalling new main door assembly.

To Install New Main Door Glass

1. Remove main door assembly from dryer (follow main door removal procedure).
2. Lay main door on flat surface with front of door face up.
3. Remove the four (4) #10-32 Acorn nuts.
4. Remove glass and clean **ALL** old sealant off main door. This area **must be** completely cleaned for correct bonding.
5. Apply a narrow bead of silicone (ADC P/N 170730) **ALL** around main door area where glass will rest.
6. Install glass onto door/adhesive and slightly press glass in place.



IMPORTANT: *DO NOT* press hard or silicone thickness between the glass and door will be reduced, resulting in poor bonding.

7. Secure the four (4) #10-32 Acorn nuts to hold the glass.
8. The door assembly **should now be** put in an area where it will not be disturbed for at least 24 hours. Depending on the conditions, the curing time of this adhesive is 24 to 36 hours.
9. After 24-hour curing period, install main door on dryer by reversing step 1.

To Replace Front Panel

1. Discontinue electrical power to the dryer.
2. Remove main door switch and bracket assembly.
3. Follow procedure for removal of main door assembly.
4. Open control (service) door.
5. Remove lint drawer and open lint door by removing six (6) screws.

6. Unplug the door switch wires at the bottom of the front panel.
7. Disconnect the wires connecting the “EMERGENCY STOP” (E-Stop). The easiest place to do this would be in the left hand electrical box. Once the wires are disconnected, push them through the inner top.
8. Remove the twelve (12) Phillips head screws securing front panel to dryer.
9. Pull wires up through front panel door switch wire channel and gently remove front panel assembly.
10. Reverse this procedure for installing new front panel.
11. Reestablish electrical power to the dryer.

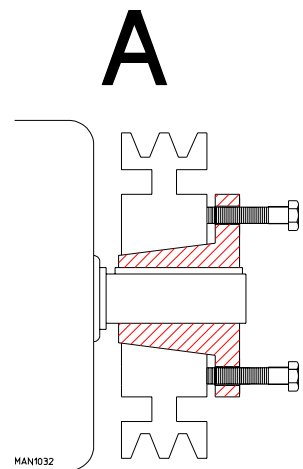
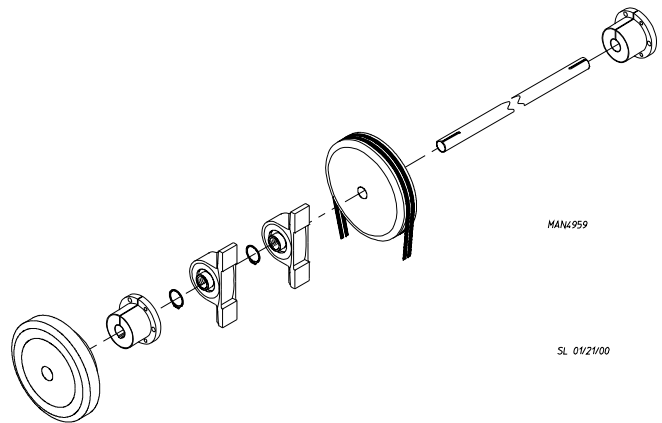
To Replace Main Door Hinge Blocks

1. Discontinue electrical power to the dryer.
2. Follow procedure for removal of main door assembly.
3. Remove bottom hinge block by removing the two (2) 1/4-20 screws.
4. Reassemble by reversing removal procedure.
5. Reestablish electrical power to the dryer.

F. PULLEYS

To Replace Drive Shaft Pulley

1. Discontinue electrical power to the dryer.
2. Remove the lint drawer.
3. Remove the lint door.
4. Remove right lint coop wall.
5. Loosen V-belts, then rotate pulley and roll V-belts out of its' grooves.
6. Remove cap screws from the bushings.
7. Insert cap screws in tapped removal holes and tighten evenly until bushing becomes loose on shaft. Refer to figure “A.”
8. Remove bushing, pulley, and key.
9. Assemble bushing and sheave as shown in figure “B” on **page 26**. When cap screws are loosely inserted, bushing remains fully expanded to provide a sliding fit on the shaft.
10. Insert key on the shaft, then slide sheave to desired position with cap screw heads to the outside.

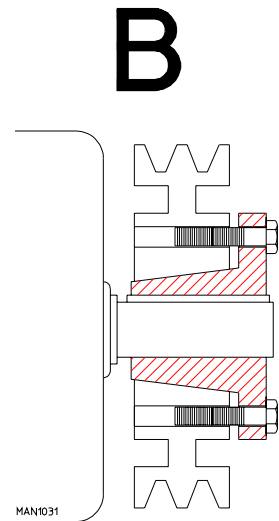


11. Tighten cap screws progressively. There should remain a gap between the sheave hub and the flange of the bushing.

IMPORTANT: Tighten screws evenly and progressively. Never allow the sheave to be drawn in contact with the flange of the bushing. This gap should measure from 1/8" to 1/4". Proper cap screw torque is 30 ft.-lbs. If greater tightening forces are applied, excess pressures will be created in the hub of the mounted sheave which may cause it to crack.

To Replace Small Speed Reducing Pulley Shaft

1. Discontinue electrical power to the dryer.
2. Remove the lint drawer.
3. Remove the lint door.
4. Remove right lint coop wall.
5. Loosen V-belts, then rotate pulley and roll V-belts out of its' grooves.
6. Remove cap screws from the bushings.
7. Insert cap screws in tapped removal holes and tighten evenly until bushing becomes loose on shaft. Refer to figure "A" on [page 25](#).
8. Remove bushing, pulley, and key.
9. Assemble bushing and sheave as shown in figure "B." When cap screws are loosely inserted, bushing remains fully expanded to provide a sliding fit on the shaft.
10. Insert key on the shaft, then slide sheave to desired position with cap screw heads to the outside.
11. Tighten cap screws progressively. There should remain a gap between the sheave hub and the flange of the bushing.

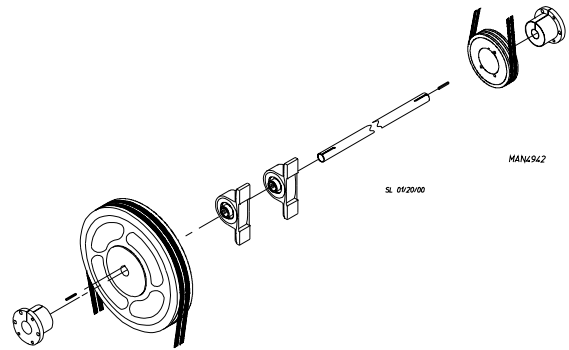


IMPORTANT: Tighten screws evenly and progressively. Never allow the sheave to be drawn in contact with the flange of the bushing. This gap should measure from 1/8" to 1/4". Proper cap screw torque is 6 ft.-lbs., if greater tightening forces are applied, excess pressures will be created in the hub of the mounted sheave which may cause it to crack.

To Replace Large Speed Reducing Pulley

1. Discontinue electrical power to the dryer.
2. Remove the lint drawer.
3. Remove the lint door.
4. Remove right hand lint coop wall.

5. Loosen V-belts, then rotate pulley and roll V-belts out of its' grooves.
6. Remove cap screws.
7. Insert cap screws in tapped removal holes and tighten evenly until bushing becomes loose on shaft. Refer to figure "A" on [page 25](#).
8. Remove bushing, pulley, and key.

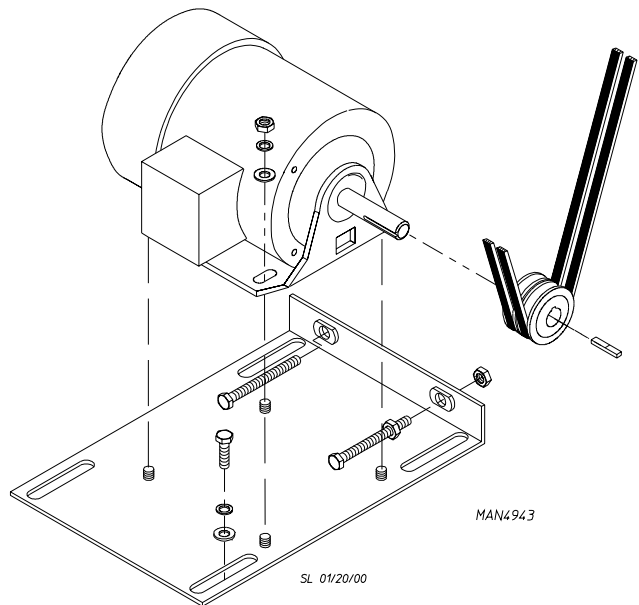


9. Assemble bushing and sheave as shown in figure "B" on previous page. When cap screws are loosely inserted, bushing remains fully expanded to provide a sliding fit on the shaft.
10. Insert key on the shaft, then slide sheave to desired position with cap screw heads to the outside.
11. Tighten cap screws progressively. There should remain a gap between the sheave hub and the flange of the bushing.

IMPORTANT: Tighten screws evenly and progressively. Never allow the sheave to be drawn in contact with the flange of the bushing. This gap should measure from 1/8" to 1/4". Proper cap screw torque is 15 ft.-lbs. If greater tightening forces are applied, excess pressures will be created in the hub of the mounted sheave which may cause it to crack.

To Replace Motor Pulley

1. Discontinue electrical power to the dryer.
2. Remove the lint drawer.
3. Remove the lint door.
4. Loosen V-belts, then rotate pulley and roll V-belts out of its' grooves.
5. Remove cap screws from bushing.
6. Insert cap screws in tapped removal holes and tighten evenly until bushing becomes loose on shaft. Refer to figure "A" on [page 25](#).
7. Remove bushing, pulley, and key.
8. Assemble bushing and sheave as shown in figure "B" on previous page. When cap screws are loosely inserted, bushing remains fully expanded to provide a sliding fit on the shaft.
9. Insert key on the shaft, then slide sheave to desired position with cap screw heads to the outside.
10. Tighten cap screws progressively. There should remain a gap between the sheave hub and the flange of the bushing.

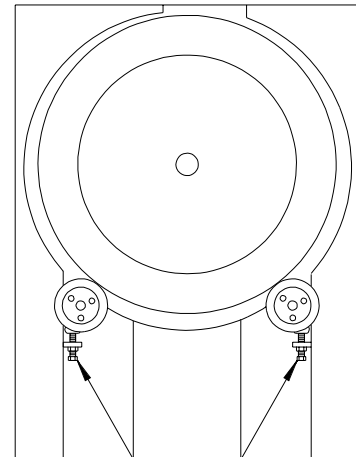


IMPORTANT: Tighten screws evenly and progressively. Never allow the sheave to be drawn in contact with the flange of the bushing. This gap should measure from 1/8" to 1/4". Proper cap screw torque is 6 ft.-lbs., if greater tightening forces are applied, excess pressures will be created in the hub of the mounted sheave which may cause it to crack.

G. TUMBLER (BASKET) ALIGNMENT

ML-190 BASKET ADJUSTMENT / ALIGNMENT

1. Discontinue electrical power to the dryer.
2. Remove the lint drawer.
3. Remove the lint door.
4. Remove both the left hand and right hand lint coop walls.
5. Loosen the V-belts on drive shaft, then rotate pulley and roll V-belts out of its' grooves.
6. Tighten the two (2) bolts under the drive shaft clockwise (CW) to raise the tumbler (basket) and counterclockwise (CCW) to lower the tumbler (basket). The bolts **should be** tightened in even increments in order to ensure that the shaft runs parallel with the base of the dryer.



SL 01/25/00

ADJUSTMENT BOLTS FOR
DRIVE AND IDLER AXELS

IMPORTANT: Side to side adjustment of the tumbler (basket) **should be** equal on either side of the front panel, but vertically the top of the tumbler (basket) should have a larger gap than the bottom to compensate for the load.

IMPORTANT: Be sure to tighten the left idler side to the same height as the right side/drive side. This length can be determined by taking measurements from the bottom of each pillow block bearing to the top of the bearing pad.

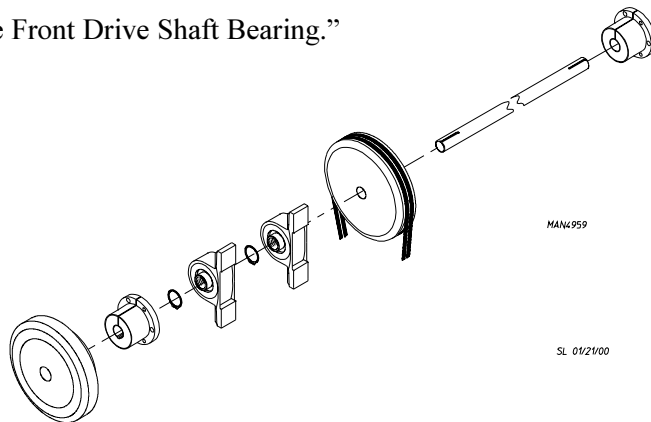
NOTE: If the axle height is not the same on the drive and idler side, then the tumbler (basket) will be either more to the right or left side, depending on which axle is higher.

7. Tighten locking nuts on the adjustment bolts.
8. Reverse **Step #1 through Step #5** for reassembly.
9. Check tumbler (basket) drive belt for proper tension. Adjust if necessary.
10. Reestablish electrical power to the dryer.

H. BEARINGS

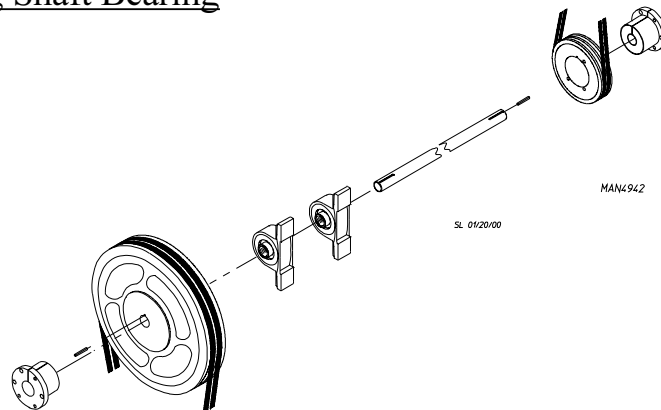
To Replace Rear Drive Shaft Pillow Block Bearing

1. Follow **Step #1 through Step #6** from “To Replace Front Drive Shaft Bearing.”
2. Remove drive pulley.
 - a. Remove cap screws from bushing.
 - b. Insert cap screws in tapped removal holes and tighten evenly until bushing becomes loose on shaft.
 - c. Remove set screws from bushing.
 - d. Remove bushing, pulley, and key.
3. Reverse these steps for the installation of new bearing.



To Replace Front/Rear Speed Reducing Shaft Bearing

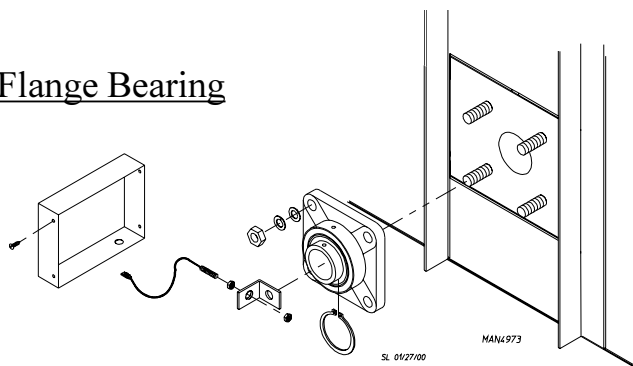
1. Discontinue electrical power to the dryer.
2. Remove the lint drawer.
3. Remove the lint door.
4. Loosen and roll V-Belts off that connect speed reducing shaft to drive shaft.
5. Loosen and roll V-belts off that connect speed reducing shaft to the drive motor.
6. Remove retaining ring that is located closest to the front/rear bearing.
7. Remove the four (4) bolts holding the two (2) speed reducing shaft pillow block assembly in the dryer.
8. Loosen and remove the two (2) set screws in the front/rear pillow block bearing.
9. Remove front/rear pulley.
 - a. Remove cap screws from bushing.
 - b. Insert cap screws in tapped removal holes and tighten evenly until bushing becomes loose on shaft.
 - c. Remove set screws from bushing.
 - d. Remove bushing, pulley, and key.
10. Install new bearing by reversing these procedures.



11. Reestablish electrical power to the dryer.

To Replace Rear Tumbler (Basket) Support Flange Bearing

1. Discontinue electrical power to the dryer.
2. Remove bearing back guard.
3. Block rear of tumbler (basket) up to take weight off of shaft and bearing.

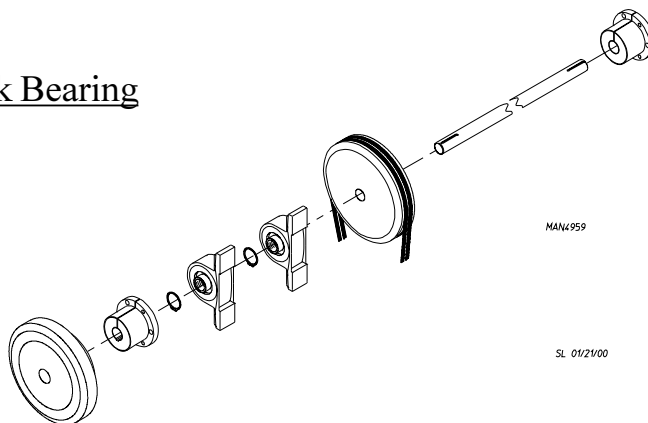


NOTE: This may be accomplished the easiest through the lint coop.

4. Remove the four (4) nuts securing the flange bearing.
5. Loosen the two (2) set screws from rear pillow block bearing collar.
6. Using two (2) flat head screw drivers, place one (1) between the casting of the bearing and the back of the dryer on both the top and bottom of the bearing. Try on the bearing until there is a large enough gap to fit the arms of a bearing puller.
7. Using a bearing pulley remove the flange bearing.
8. Replace by reversing **Step #3 through Step #6**.
9. Adjust both lateral and vertical tumbler (basket) alignment. Check both the vertical and lateral adjustment of the tumbler (basket).
10. Reestablish electrical power to the dryer.

To Replace Front Drive Shaft Pillow Block Bearing

1. Discontinue electrical power to the dryer.
2. Remove the lint drawer.
3. Remove the lint door.
4. Loosen and roll V-belts off that connect speed reducing shaft to drive shaft.
5. Remove the two (2) retaining rings from the tumbler (basket) drive shaft.
6. Remove the four (4) bolts holding the drive shaft assembly in the dryer.
7. Remove drive wheel.
 - a. Remove cap screws from bushing.
 - b. Insert cap screws in tapped removal holes and tighten evenly until bushing becomes loose on shaft.
 - c. Remove bushing, pulley, and key.

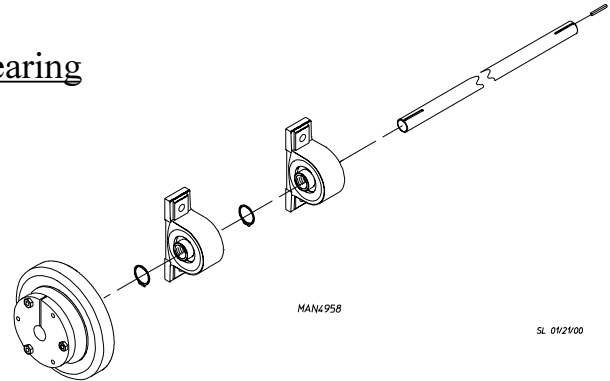


NOTE: Check belt adjustment and readjust if necessary.

8. Remove wheel from shaft.
9. Loosen the two (2) set screws in the race of the pillow block bearing.
10. Clean the shaft from the end up to the pillow block bearing and slide the pillow block bearing off of the shaft.
11. Reverse these steps to install new pillow block bearing.

To Replace Front Idler Shaft Pillow Block Bearing

1. Discontinue electrical power to the dryer.
2. Remove the lint drawer.
3. Remove the lint door.
4. Block tumbler (basket) up.
5. Loosen adjustment bolt(s) and lock nuts securing the pillow block bearing up.
6. Remove bolts holding each idler pillow block bearing to mount.
7. Remove idler shaft (with both bearings and wheel still attached) from dryer.
8. Remove the retaining ring closest to the front bearing.
9. Remove drive wheel.
 - a. Remove cap screws from bushing.
 - b. Insert cap screws in tapped removal holes and tighten evenly until bushing becomes loose on shaft.
 - c. Remove bushing, pulley, and key.
10. Slide bearing off the shaft.
11. Replace bearing by reversing procedure.
12. Reestablish electrical power to the dryer.



To Replace Rear Idler Shaft Pillow Block Bearing

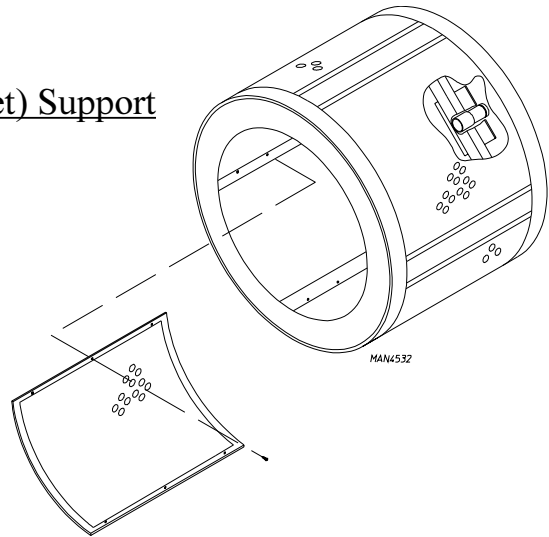
1. Follow **Step #1 through Step #7** from “To Replace Front Idler Shaft Bearing.”
2. Remove retaining ring closest to the rear pillow block bearing.
3. Loosen the two (2) set screws on each bearing collar.
4. Slide the bearing off the shaft.

5. Replace by reversing procedure.
6. Reestablish electrical power to the dryer.

I. BASKET and SUPPORT

To Replace Tumbler (Basket) and Tumbler (Basket) Support

1. Discontinue electrical power to the dryer.
2. Follow procedure for removal of main door assembly.
3. Follow procedure for removal of front panel assembly.
4. Remove bearing back guard.
5. Remove tumbler (basket) assembly and support.
 - a. Loosen the two (2) set screws on the flange bearing.
 - b. Remove the retaining ring from the groove of the tumbler (basket) shaft.
 - c. Remove the rotational sensor magnet from the tumbler (basket) support shaft.
 - d. Remove the tumbler (basket) and support assembly from the front of the dryer. If the tumbler (basket) **cannot** be removed freely, clean the shaft area and spray WD-40 or similar lubricant. With a block of wood against the shaft end, strike the block wood with a hammer or mallet to move the shaft past any burrs made by the set screws.



IMPORTANT: Never strike the shaft directly with a hammer.

6. Reverse these steps for installation of new tumbler (basket) and tumbler (basket) support.
7. Reestablish electrical power to the dryer.

J. V-BELTS (See illustrations in section F “Pulleys”)

V-belts should have proper tension. If too loose, they will slip, excessive wear on the bearings will result. If the pulleys are not properly aligned, excessive belt wear will result. Proper belt tension will allow 1/2” displacement under normal thumb pressure at mid span of belt.

NOTE: Belts *must always be* replaced in pairs (matched sets).

V-Belt Tension Adjustment (Drive Shaft to Speed Reducing Shaft)

1. Discontinue electrical power to the dryer.
2. Remove the lint drawer.
3. Remove the lint door.
4. Loosen two (2) bolts securing rear pillow block bearing on the drive shaft.
5. Loosen adjustment bolt that is securing the rear pillow block bearing of the drive shaft.
6. Loosen two (2) bolts securing rear speed reducing shaft bearing.
7. Loosen adjustment bolt supplying pressure to the rear bearing on the speed reducing shaft.
8. Remove old V-belts.
9. Reverse these steps to install new V-belts.

NOTE: After tensioning the V-belts, check to make sure both the drive shaft and speed reducing are parallel or level to the base of the dryer.

V-Belt Tension Adjustment (Motor To Speed Reducing Shaft)

1. Discontinue electrical power to the dryer.
2. Remove the lint drawer.
3. Remove the lint door.
4. Loosen two (2) bolts securing front bearing on speed reducing shaft.
5. Loosen tension bolt that is under the front bearing of the speed reducing shaft.
6. Remove the V-belts.
7. Replace V-belts by reversing the above procedures.

To Replace V-Belts From The Blower Motor To The Fan

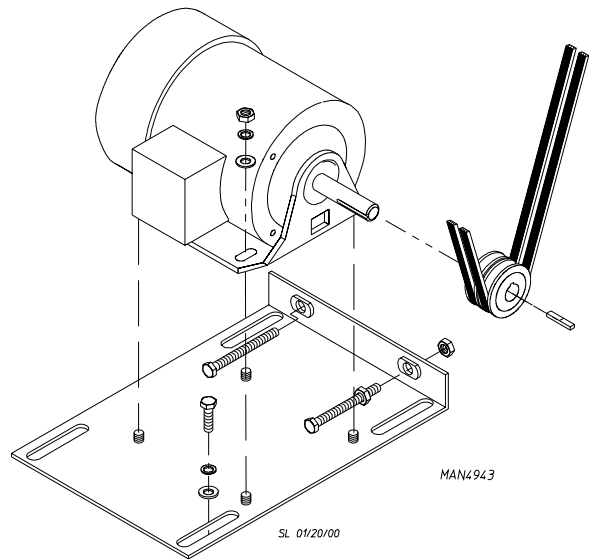
1. Loosen the four (4) bolts securing the motor to the base of the dryer.
2. Loosen the tension bolts.
3. Remove old V-belts.
4. Reverse these steps to replace V-belts.

NOTE: Always replace V-belts in pairs.

K. MOTORS

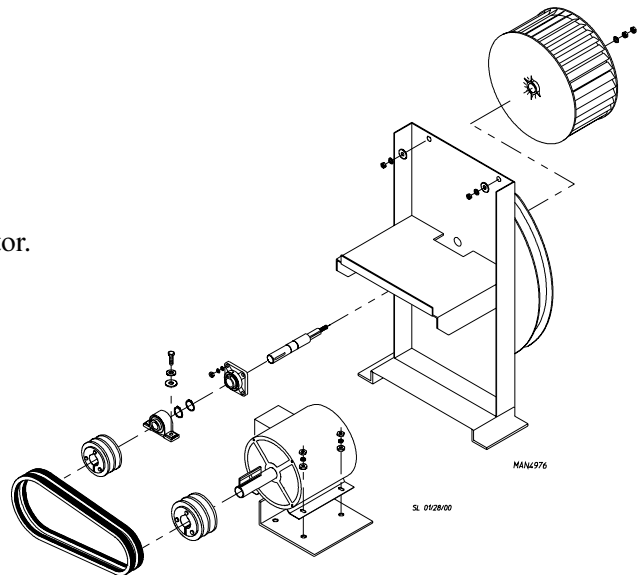
To Replace Drive Motor

1. Discontinue electrical power to the dryer.
2. Remove the lint drawer.
3. Remove the lint door.
4. Remove the left lint wall.
5. Remove the drive V-belts. Follow V-belt replacement from motor to speed reducing shaft.
6. Loosen the four (4) bolts securing the motor to the base of the dryer.
7. Disconnect the motor wiring.
8. Remove old motor pulley and bushing and place on new motor.
9. Reverse these steps to replace drive motor.



To Replace Impellor Motor (Fan Shaft Drive - 50/60 Hz Gas and Steam Models)

1. Discontinue electrical power to the dryer.
2. Remove the lint drawer.
3. Remove the lint door.
4. Remove the left hand lint wall.
5. Loosen the four (4) mounting bolts securing the motor.
6. Loosen the tension bolts.
7. Remove V-belts.
8. Disconnect motor wiring.
9. Remove the motor pulley and bushing.
10. Reverse these steps for installation of new motor.



To Replace Fan Shaft and/or Fan Shaft Bearings

A. To remove from the front

1. Follow **Step #1 through Step #8** under “To Replace Impellor Motor.”

2. Follow *Step #4 and Step #5* under “To Replace Impellor.”
3. Loosen the four (4) bolts securing the fan shaft assembly to the base of the dryer.

NOTE: Models with rear access, it may be easier to remove this plate, to remove the two (2) rear fan shaft assembly bolts.

4. Remove the fan assembly through front access hole.
5. Loosen the set screws in each bearing.
6. Loosen the four (4) flange bolts and two (2) pillow block bolts.
7. Using a pulley, remove the bearing needing replacing.
8. Reverse the procedures to reinstall new bearing.

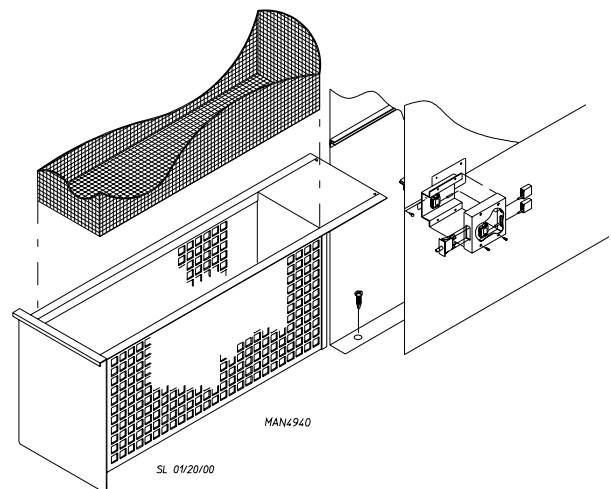
L. IMPELLOR

1. Discontinue electrical power to the dryer.
2. Remove the left side lint wall if necessary for easier access.
3. Remove the six (6) nuts securing the inlet cone to the blower housing.
4. Remove the two (2) left handed jam nuts that hold the impellor to the fan shaft.
5. Remove the impellor, washers, and the key.
6. Replace the impellor, key, washers, left handed jam nuts, and the side panel.
7. Reestablish electrical power to the dryer.

M. LINT DRAWER ASSEMBLY

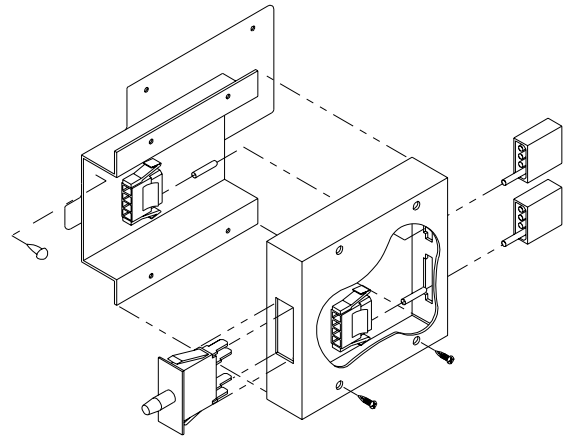
To Replace Lint Screen

1. Pull out lint drawer.
2. Remove lint screen from lint drawer.
3. Drop new lint screen in place.
4. Slide lint drawer back into dryer.



To Replace Lint Drawer Switch

1. Disconnect electrical power to the dryer.
2. Remove lint drawer and lint door.
3. Disconnect both 4-pin connectors at the rear of the lint switch cover.
4. Remove the one (1) or two (2) screws holding the lint switch cover on.
5. Remove lint switch cover and disconnect the two (2) terminals of the switch.
6. Remove switch by pressing tabs together and push switch out.
7. Install new switch by reversing procedure.



MAN4941

SL 01/20/00

SECTION VI

TROUBLESHOOTING

IMPORTANT: YOU MUST DISCONNECT and LOCKOUT THE ELECTRIC SUPPLY and THE GAS SUPPLY or THE STEAM SUPPLY BEFORE ANY COVERS or GUARDS ARE REMOVED FROM THE MACHINE TO ALLOW ACCESS FOR CLEANING, ADJUSTING, INSTALLATION, or TESTING OF ANY EQUIPMENT per OSHA (Occupational Safety and Health Administration) STANDARDS.

The information provided will help isolate the most probable component(s) associated with the difficulty described. The experienced technician realizes, however, that a loose connection or broken/ shorted wire may be at fault where electrical components are concerned ... and not necessarily the suspected component itself. Electrical parts **should always be** checked for failure before being returned to the factory. The information provided **should not be** misconstrued as a handbook for use by an untrained person making repairs.

IMPORTANT: When replacing blown fuses, the replacement *must be* of the exact rating as the fuse being replaced.

WARNING: ALL SERVICE and TROUBLESHOOTING **SHOULD BE** PERFORMED BY A QUALIFIED PROFESSIONAL or SERVICE AGENCY.

WARNING: WHILE MAKING REPAIRS, OBSERVE ALL SAFETY PRECAUTIONS DISPLAYED ON THE DRYER or SPECIFIED IN THIS MANUAL.

Refer to section “Electrical Troubleshooting” for a detailed troubleshooting procedure for electrical components.

A. No display on computer...

1. Open circuit breaker switch or blown fuse.
2. Tripped overload on the blower MTR.
3. Faulty wiring connection.
4. Faulty microprocessor controller (computer).

B. Computer will not accept keyboard (touchpad) entries...

1. Keyboard (touchpad) ribbon is not plugged into computer securely.
2. Keyboard (touchpad) is defective.
3. Faulty microprocessor controller (computer).

C. Dryer will not start, but computer display indicators are on and relay output lights are on...

1. Failed contactors.
2. Failed arc suppressor (A.S.) board.
3. Failed motors.
4. Loose wiring connection.

D. Drive motor runs, burner is on, tumbler (basket) will not turn, and the computer is reading “Rotational Sensor Failure”...

1. Broken, damaged, or loose V-belt.
2. Belts are contaminated (oil, grease, etc.).
3. Loose or broken pulley.

E. Drive motor and blower start, computer display heat indicator is on, and relay output lights are on but there is no heat...

1. Failed HSI (Hot Surface Ignition) module.
2. Failed blower motor contactor.
3. Faulty HSI (Hot Surface Ignition) ignitor.
4. Faulty gas valve.

F. Dryer operates, glo bar lights, but gas does not flow...

1. Dryer gas shut-off valve is closed.
2. Failed gas valve (open coil in valve).
3. Loose wiring connection from HSI (Hot Surface Ignition) module to gas valve (Check voltage at gas valve).
4. Failed HSI (Hot Surface Ignition) module.

G. Dryer operates, glo bar lights but there is no ignition even though gas is evident...

1. Gas pressure is too low...Check manifold pressure and take necessary corrective action.
2. Faulty glo bar, glo bar is not hot enough.
3. Glo bar is out of adjustment (readjust within gas flow).
4. Lint accumulation in burner tubes.
5. Low voltage condition to glo bar.

6. Faulty gas valve.
7. No voltage to gas valve.
8. Poor airflow due to restriction in exhaust or dirty lint screen.

H. Dryer operates but is taking too long to dry...

1. An inadequate exhaust duct work system.
2. Restriction in exhaust system.
3. Insufficient make-up air.
4. Poor housekeeping...Dirty or clogged lint screen.
5. Washing machine extractors are not performing properly.
6. An exceptionally cold/humid or low barometric pressure atmosphere.
7. The supply gas may have a low heating value, check with local gas supplier.
8. Failed temperature sensor (temperature calibration is incorrect).
9. Failed microprocessor controller (computer).

I. Thermal overload for drive motor is tripping...

1. Either an exceptionally low or high voltage supply.
2. Motor bearing failure.
3. Bearing failure in drive system.
4. Failed motor.
5. Insufficient make-up air.

J. Overload for impellor (fan) motor is tripping...

1. Either an exceptionally low or high voltage supply.
2. Motor bearing failure.
3. Failed motor.
4. Failed overload.
5. Out of balance impellor (fan).
6. Insufficient make-up air.

K. Dryer is tripping the burner hi-limit safety thermostat...

1. Insufficient exhaust duct work...size or restriction in exhaust system.
2. Insufficient make-up air.
3. Lint screen needs cleaning.
4. Damaged impellor (fan).
5. Impellor/fan spinning in the wrong direction.

L. Display reads “Temp Sensor Fail Check Temp Sensor Fuse.” Dryer Sensor Circuit Failure...

1. Check 1/8 amp fuse on computer.
2. Faulty microprocessor temperature sensor probe.
3. Open circuit in either one of two (2) wires leading from the sensor probe to the computer.
 - a. Connection at sensor bracket assembly connector.
 - b. Connection at computer harness connector.

M. Dryer does not start. Display reads “Lint Door”...

1. Lint drawer is open.
2. Faulty lint door switch.
3. Open circuit in lint drawer switch harnesses.

N. There is excessive vibration coming from the tumbler (basket)...

1. Tumbler (basket) is out of adjustment.
2. Drive wheels have failed.
3. Failed tumbler (basket) support.

O. Dryer does not start. Display reads “Main Door”...

1. Main door is open.
2. Faulty main door switch.
3. Open circuit in main door switch harness.

SECTION VII

ELECTRICAL TROUBLESHOOTING

The information provided will help isolate the most probable components associated with the difficulty described. The experienced technician realizes, however, that a loose connection or broken or shorted wire may be at fault where electrical components are concerned...not necessarily the suspect component itself.

ELECTRICAL PARTS *SHOULD ALWAYS BE* CHECKED FOR FAILURE BEFORE BEING RETURNED TO THE FACTORY.

The information provided **should not be** misconstrued as a device for use by an untrained person in making repairs. Only properly licensed technicians should service the equipment.

OBSERVE ALL SAFETY PRECAUTIONS DISPLAYED ON THE EQUIPMENT or SPECIFIED IN THIS MANUAL WHILE MAKING REPAIRS.

SECTION VIII

PHASE 6 OPL SYSTEM DIAGNOSTICS

IMPORTANT: YOU MUST DISCONNECT and LOCKOUT ELECTRIC, GAS, or STEAM SUPPLY BEFORE ANY COVERS or GUARDS ARE REMOVED FROM THE MACHINE TO ALLOW ACCESS FOR CLEANING, ADJUSTING, INSTALLATION, or TESTING OF ANY EQUIPMENT PER OSHA (Occupational Safety and Health Administration) STANDARDS.

ALL major circuits, including door, microprocessor temperature sensor, heat and motor circuits are monitored. The Phase 6 OPL microprocessor controller (computer) will inform the user, via the L.E.D. (light emitting diode) display of certain failure codes, along with indicators both in L.E.D. (light emitting diode) display and at the output of each relay (and door switch circuit) to easily identify failures.

A. DIAGNOSTIC (L.E.D. [light emitting diode] DISPLAY) FAILURE CODES

1. **SAIL SWITCH FAIL** - this routine will prevent start up on the machine unless the sail switch is in the correct position. If the sail switch is closed prior to start up the display will read “SAIL SWITCH FAIL” along with an audio indication.
2. **No AIRFLOW** - if the sail switch opens during cycle operation the display will read “NO AIRFLOW” along with an audio indication. The machine will continue to run with no heat for three (3) minutes or until the temperature drops below 100° F. Upon failure the machine will shut down and display “No AIRFLOW” with an audio indication.
3. **bURNER SAFETY FAIL** - routine monitors the temperature above the burner. If the Burner Hi-Limit switch opens the display will read “bURNER SAFETY FAIL.” The machine will run with no heat for three (3) minutes or until the temperature drops below 100° F. Upon failure the machine will shut down and display “bURNER SAFETY FAIL” with an audio indication.
4. **dRUM SAFETY FAIL** - this routine monitors the tumbler (basket) temperature if the tumbler (basket) Hi-Limit switch opens prior or during the cycle while the heat was on the machine will display “dRUM SAFETY FAIL.” The machine will continue to run with no heat for three (3) minutes or until the temperature drops below 100° F. Upon failure the machine will shut down and display “dRUM SAFETY FAIL” with an audio indication.
5. **NoHEAT** - this routine monitors the gas valve response. If the valve output is discontinued by the ignition control while the heat output cycle is active, the machine will display “NoHEAT,” the machine will run with no heat for three (3) minutes or until the temperature drops below 100° F. If the tumbler (basket) temperature is below 100° F upon failure the machine will shut down and display “NoHEAT” with an audio indication.
6. **bURNER CONTRL FAIL** - this routine monitors the ignition control’s gas valve output response. If the valve output signal is not present from the ignition control within the valve time limits the Phase 6 microprocessor controller (computer) determines the ignition control has failed. If this occurs when the cycle is active the machine will display “bURNER CONTRL FAIL.” If the tumbler (basket) temperature is above 100° F the machine will continue to display “bURNER CONTRL FAIL.” The machine will run with no heat for three (3) minutes or until the temperature drops below 100° F. If the tumbler (basket) temperature is below 100° F upon failure the machine will shut down and display “bURNER CONTROL FAIL” with an audio indication.

7. **bURNER FLAME FAIL** - this routine allows two (2) Flame Out retries to occur before proceeding into the error. The count of two (2) will be established every time the call for heat was to occur. Only if it reaches the count of two (2) before the tumbler (basket) temperature has reached the set temperature will this error be triggered. The machine will run with no heat for three (3) minutes or until the temperature drops below 100° F. If the tumbler (basket) temperature is below 100° F upon failure, the machine will shut down and display “bURNER FLAME FAIL” with an audio indication. This process will occur every time the heat output is active.
8. **MAIN dOOR** - this monitors the door circuit. If the machine was not active and the main door was opened the display would read “REAdY.” If a program attempt was made with the main doors open the display will read “MAIN dOOR” with an audio indication. If the machine is active and the main door was opened the display would read “MAIN dOOR” with no audio indication and the dryer will shut down. Once the main door has closed the display would read “PRESS START” press the “ENTER/START” Key and it will continue the programmed cycle.
9. **LINT dOOR** - this monitors the lint drawer/door circuit. If the machine was not active and the lint drawer/door was opened the display would read “REAdY.” If a program attempt was made with the lint drawer/door open the display would read “LINT dOOR” with an audio indication. If the machine was active and the lint drawer/door was opened the display would read “LINT dOOR” with no audio indication and the dryer will shut down. Once the lint door was closed the display would read “PRESS START” Key and it will continue the programmed cycle.
10. **TEMP SENSOR FAIL CHECK TEMP SENSOR FUSE** - this routine monitors the tumbler (basket) temperature. When the temperature sensor or fuse opens with the machine not active the display will read “TEMP SENSOR FAIL CHECK TEMP SENSOR FUSE” with an audio indication. If the machine was active at the time that the temperature sensor or fuse opened the display would read “TEMP SENSOR FAIL CHECK TEMP SENSOR FUSE.” If the tumbler (basket) temperature is above 100° F the machine will continue to display “TEMP SENSOR FAIL CHECK TEMP SENSOR FUSE” with an audio indication and run with no heat for three (3) minutes or until the temperature drops below 100° F. If the tumbler (basket) temperature is below 100° F upon failure the machine will shut down and display “TEMP SENSOR FAIL CHECK TEMP SENSOR FUSE” with an audio indication. The display will continue to read “TEMP SENSOR FAIL CHECK TEMP SENSOR FUSE” an audio indication will sound for approximately 5 seconds, every 30 seconds until the problem is corrected or the power to the dryer is discontinued (and the problem is corrected).

NOTE: Once the Phase 6 microprocessor controller (computer) detects a problem in the heat circuit, it updates every 30 seconds, so that if the problem was a loose connection in the circuit which corrected itself, the “TEMP SENSOR FAIL CHECK TEMP SENSOR FUSE” condition would automatically be cancelled and the display will return to “REAdY.”

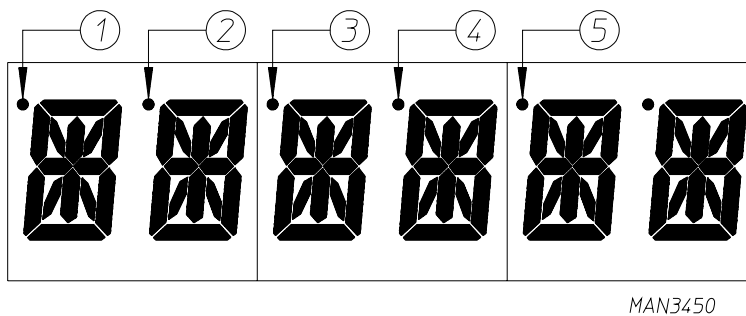
11. **ROTATE SENSOR FAIL** - indicates a rotational sensor circuit failure meaning that there is a fault somewhere in the tumbler (basket) rotation circuit, or the Phase 6 OPL microprocessor controller (computer) program related to this circuit (Program Location 2) is set incorrectly. In the active mode it **should be** (ROTATE SENSOR ACTIVE), if the dryer is not equipped with the optional rotational sensor it **should be** set in the non active mode (No ROTATE SENSOR).

NOTE: RPM - This routine monitors the timing response from the existing rotational sensor input and derives a RPM measurement. To display this RPM measurement (press the “ENTER/START” Key once and release, then press the “ENTER/START” Key a second time and hold ...this will display the RPM measurement). The rotational sensor *must be* active for operation of this feature.

12. **CHECK MAIN FUSE** - indicates that the circuit fuse protection which is located on the back side of the Phase 6 microprocessor controller (computer) the display would read “CHECK MAIN FUSE.” If the display continues after the fuse has been replaced then it is the fault of the Phase 6 microprocessor controller (computer).

B. L.E.D. (light emitting diode) DISPLAY INDICATORS

The L.E.D. (light emitting diode) indicator dots located on the top portion of the display indicate the various Phase 6 OPL computer output functions while a cycle is in progress. These indicator dots (as shown in the illustration below) **DO NOT** necessarily mean that the outputs are functioning. They are only indicating that the function output **should be** active (on).



1. L.E.D. DISPLAY INDICATOR NUMBER 1

- a. For Optional Reversing Models:
 - 1) This indicator dot is on when the drive (tumbler [basket]) motor is operating in the forward mode (clockwise [CW] direction).

2. L.E.D. DISPLAY INDICATOR NUMBER 2

- a. For Optional Reversing Models:
 - 1) This indicator dot is on when the drive (tumbler [basket]) motor is operating in the reverse mode (counterclockwise [CCW] direction).

3. L.E.D. DISPLAY INDICATOR NUMBER 3

- a. Heat Circuit Indicator:
 - 1) This indicator dot is on whenever the Phase 6 OPL microprocessor controller (computer) is calling for the heating circuit to be active (on).

4. L.E.D. DISPLAY INDICATOR NUMBER 4

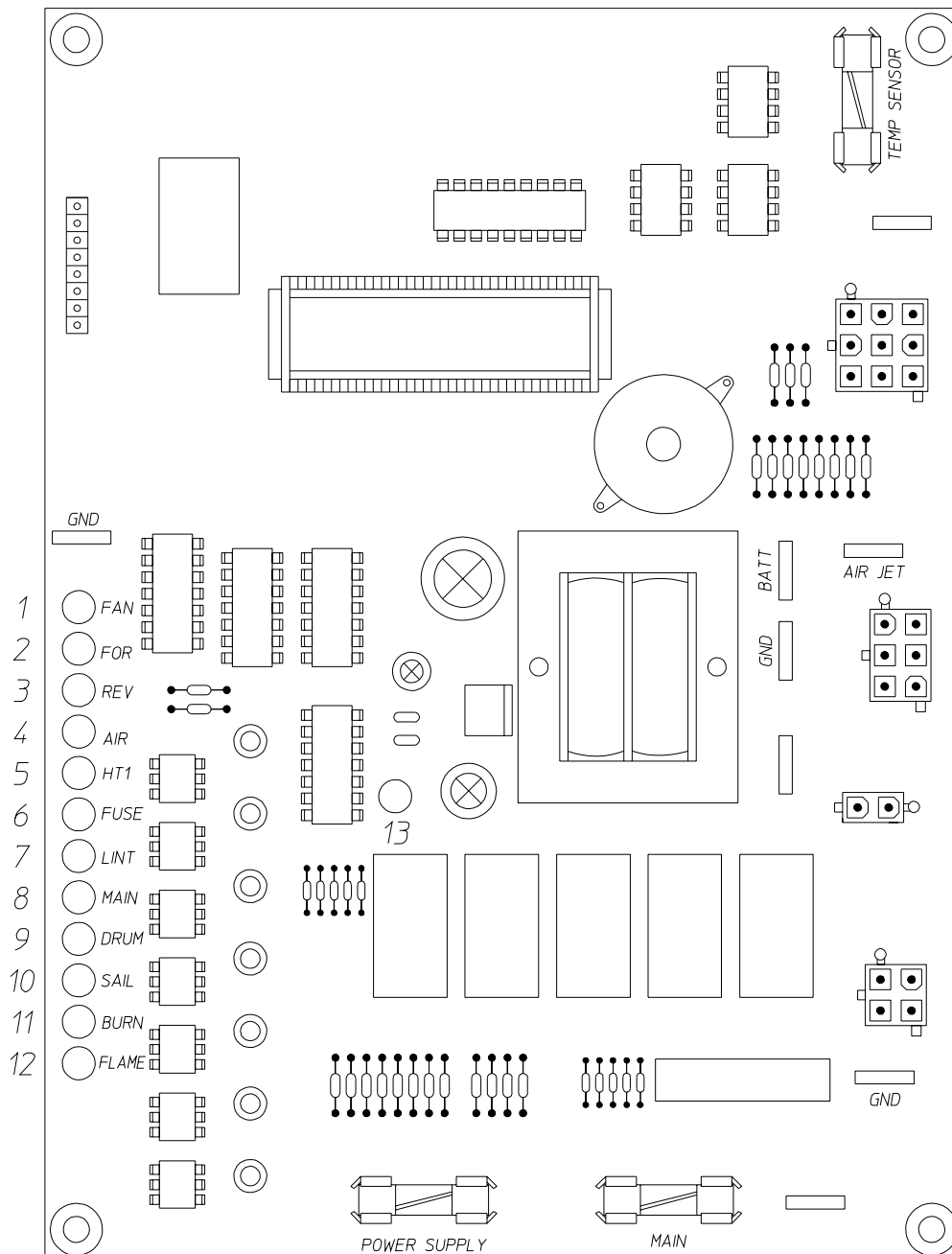
- a. On Indicator
 - 1) This indicator dot is on whenever a cycle is in progress. Additionally, when the Anti-Wrinkle program is active, the indicator dot will be on whenever the Phase 6 OPL microprocessor controller (computer) is in the Guard On Time program.

5. L.E.D. DISPLAY INDICATOR NUMBER 5

- a. Air Jet Circuit Indicator - **OPTIONAL**
 - 1) This indicator dot is on at the end of the dryer cycle for approximately 60 seconds.

C. PHASE 6 OPL MICROPROCESSOR CONTROLLER RELAY OUTPUT L.E.D. (light emitting diode) INDICATORS

There are a series of five (5) L.E.D. (light emitting diode) indicators (ORANGE LIGHTS) located at the backside are of the Phase 6 OPL microprocessor controller (computer). These are identified or labeled (from top to bottom in the illustration below as: FAN-BLOWER, FOR-FORWARD, REV-REVERSE, AIR-AIR-JET, HT1-HEAT OUTPUT). There are a series of seven (7) L.E.D. (light emitting diode) indicators (RED LIGHTS) FUSE-MAIN FUSE, LINT- LINT DOOR, MAIN-MAIN DOOR, DRUM-TUMBLER (BASKET) HI-LIMIT, SAIL-SAIL SWITCH, BURN-BURNER HI-LIMIT, FLAME-FLAME PROBE). The L.E.D. (light emitting diode) in the center of the board (RED LIGHT) indicates power supplied to the Phase 6 OPL microprocessor controller (computer). These L.E.D.'S (light emitting diode's) indicate the inputs and outputs of the Phase 6 OPL microprocessor controller (computer) as it monitors the safety circuits.



MAN3449

SECTION IX

L.E.D. DISPLAY/CODES

The L.E.D. (light emitting diode) display informs the operator of cycle status, program verification, and displays important diagnostic codes and fault codes.

A. L.E.D. (light emitting diode) DISPLAY OPERATING STATUS

1. Cycles in Progress

- a. While the dryer is operating, the L.E.D. (light emitting diode) display will read which cycle is in progress. For example, in Drying Cycle (Mode), the L.E.D. (light emitting diode) display will read “dRYING” and in the Cool Down Cycle (Mode) the L.E.D. (light emitting diode) display will read “COOL.”

2. Cycle Status

- a. While a cycle is in progress, the L.E.D. (light emitting diode) display will show the progress of the cycle (load) that is being processed.

1) Automatic Drying Cycle

- a) While a cycle is in progress the cycle status, elapse time and dRUM TEMP will be displayed with [PL5] FLASH active (NFLASH active the “ENTER/START” key **must be** pressed to display dRUM TEMP). Approximately half way through the drying cycle, the cycle status portion of the L.E.D. (light emitting diode) will display (i.e. dRY LEVEL 68 PcT). The display will change and count upward until the percentage of extraction programmed is reached.

2) Timed (Manual) Drying Cycle

- a) While a cycle is in progress the cycle status, time remaining and dRUM TEMP will be displayed with [PL5] FLASH active (NFLASH active the “ENTER/START” key **must be** pressed to display dRUM TEMP).

3. Alternate Display Programs

- a. Programming allows for the L.E.D. (light emitting diode) display to read just the tumbler (basket) temperature or flash back and forth from Cycle in Progress or tumbler (basket) Temperature while the dryer cycle is in progress. Unless otherwise specified at the time of ordering the dryer, the Phase 6 OPL microprocessor controller (computer) is programmed not to flash and to read the Cycle in Progress.

NOTE: Refer to the illustration on the following page for details.

4. Indicator Dots (refer to **page 48**)

- a. Located at the top of the L.E.D. (light emitting diode) display is a series of dots which indicate the various Phase 6 OPL microprocessor controller (computer) output functions while a cycle is in progress.

1) Illustration No. 1

- a) **FORWARD INDICATOR** - this indicator dot is functional for dryer models with the Reversing Action Option ONLY. This indicator dot will be on when the tumbler (basket) is in the forward (clockwise [CW]) direction. Additionally, when the Anti-Wrinkle Program is active, this indicator dot will be on whenever the Phase 6 OPL microprocessor controller (computer) is in the Guard On Time Program (Mode).

2) Illustration No. 2 (refer to **illustration below**)

- a) **REVERSING INDICATOR** - this indicator dot is functional for dryer models with the Reversing Action Option ONLY. This indicator dot will be on when the tumbler (basket) is in the reverse (counterclockwise [CCW]) direction.

3) Illustration No. 3 (refer to **illustration below**)

- a) **HEAT INDICATOR** - this indicator dot is on whenever the Phase 6 OPL microprocessor controller (computer) is calling for the heating unit to be active (on).

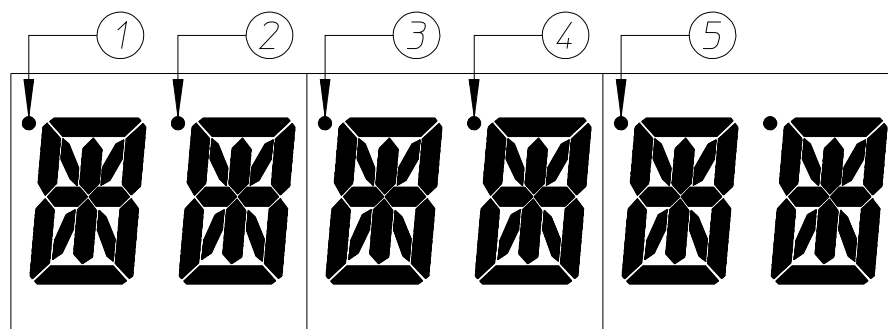
4) Illustration No. 4 (refer to **illustration below**)

- a) **ON INDICATOR** - this indicator dot is on whenever a cycle is in progress. Additionally, when the Anti-Wrinkle Program is active, this indicator dot will be on whenever the Phase 6 OPL microprocessor controller (computer) is in the Guard On Time Program.

5) Illustration No. 5 (refer to **illustration below**) *OPTIONAL*

- a) **AIR JET CIRCUIT INDICATOR** - this indicator dot is on at the end of the drying cycle for approximately sixty (60) seconds.

B. PHASE 6 OPL MICROPROCESSOR L.E.D. (light emitting diode) DISPLAYS



MAN3450

1. Tumbler (basket) in **FORWARD MODE** (clockwise [CW]) **INDICATOR**
2. Tumbler (basket) in **REVERSE MODE** (counterclockwise [CCW]) **INDICATOR**
3. **HEAT ON INDICATOR**
4. **ON INDICATOR** (dryer is in operation mode)
5. **AIR JET INDICATOR** - *OPTIONAL*

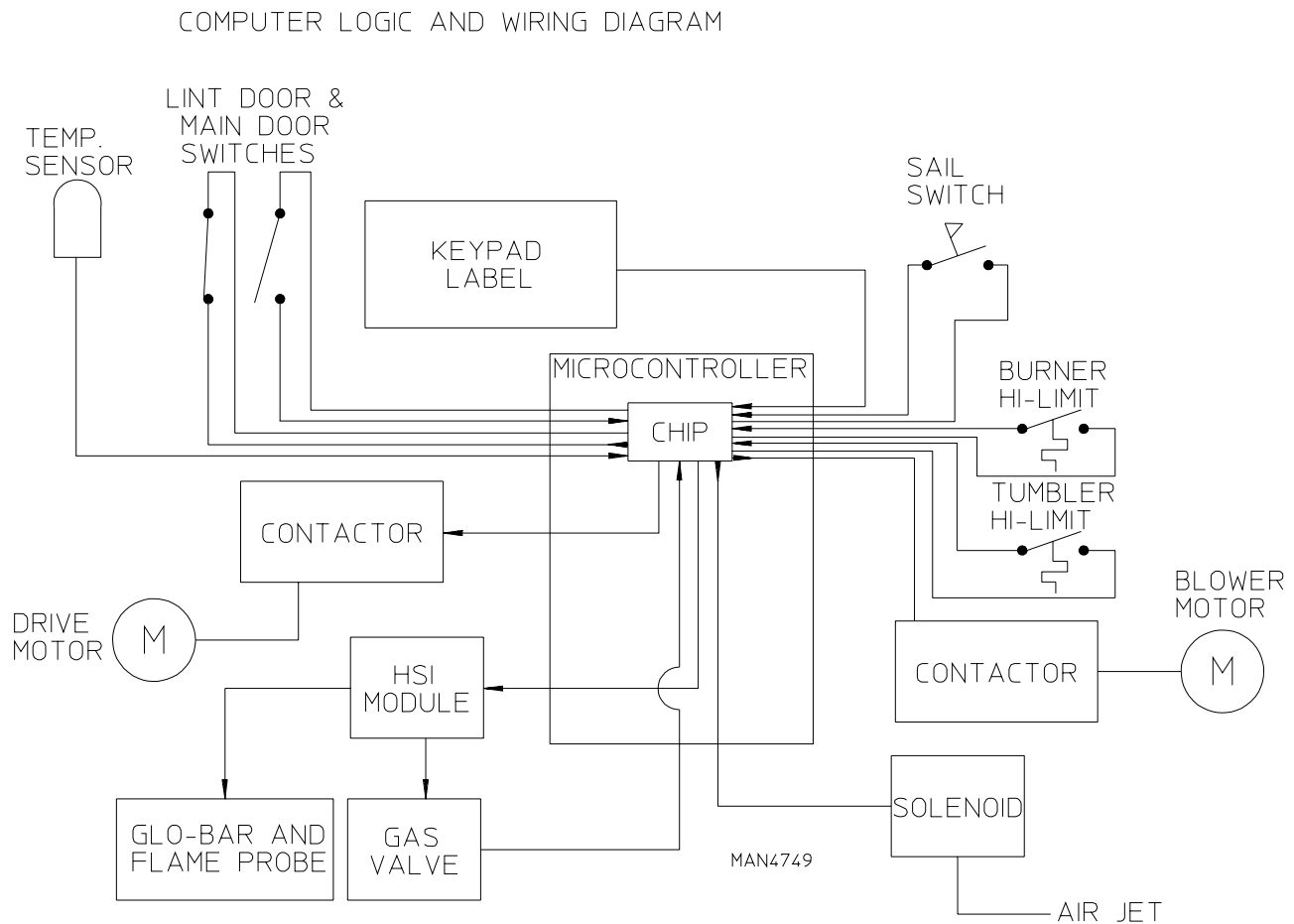
C. L.E.D. CODES

1. Display Codes

A	SLOPE FACTOR
ALL REV	ALWAYS REVERSING
ANTI WRINKL dELAY TIME	ANTI-WRINKLE DELAY TIME
ANTI WRINKL GUARd ACTIVE	ANTI-WRINKLE PROGRAM ACTIVE
ANTI WRINKL GUARd ON TIME	ANTI-WRINKLE GUARD ON TIME
AUTO CYCLE	AUTOMATIC MODE
b	HEAT LOSS (OFF SET) FACTOR
bURNER CONTROL FAIL	GAS ONLY ... POWER (24VAC) <u>IS NOT</u> EVIDENT AT GAS VALVE
bURNER FLAME FAIL	NO BURNER FLAME SENSED
bURNER SAFETY FAIL	GAS/ELECTRIC ONLY ... BURNER/OVEN OPEN HI-LIMIT CIRCUIT
bUZZ	BUZZER (TONE)
bUZZ TIME	BUZ TIME
°CEL	DEGREE IN CELSIUS
CHECK MAIN FUSE	MAIN FUSE FAILURE
CLEAN LINT	PROMPT TO CLEAN LINT SCREEN, DRYER CYCLE LOCKOUT
COOL	COOL DOWN CYCLE IN PROGRESS
COOL TIME__M	COOL DOWN TIME
COOL TEMP__	COOL DOWN TEMPERATURE
CYCLEA	PREPROGRAMMED CYCLE A
CYCLEb	PREPROGRAMMED CYCLE B
CYCLEC	PREPROGRAMMED CYCLE C
CYCLEd	PREPROGRAMMED CYCLE D
CYCLEE	PREPROGRAMMED CYCLE E
CYCLEF	PREPROGRAMMED CYCLE F
dONE	DRYING or COOLING CYCLE COMPLETE OR DRYER IN ANTI-WRINKLE MODE
dRYING	DRYING CYCLE IN PROGRESS
dRY LEVEL__	DRYNESS LEVEL (PERCENTAGE OF EXTRACTION) (NUMERICAL VALUE)
dRY TEMP F__	DRYING TEMPERATURE
dRY TIME__M	LENGTH OF DRYING CYCLE
dRUM SAFETY FAIL	TUMBLER (BASKET) HI-LIMIT CIRCUIT IS OPEN
ELAPSE TIME__MIN	CYCLE DISPLAY TIME
ELECTRIC	SPECIFIC HEAT TYPE OF DRYER ... ELECTRICALLY HEATED
F	FABRIC TEMPERATURE
°FAR	DEGREE IN FAHRENHEIT
FLASH	FLASH DISPLAY ACTIVE
GAS	SPECIFIC HEAT TYPE OF DRYER ... GAS HEATED
HOT	INDICATES AN OVERHEAT CONDITION
LINT dOOR	LINT DRAWER / DOOR CIRCUIT IS OPEN OR FAULT IN THE A.C. SWITCH CIRCUIT
LINT COUNT	DRYING CYCLES RANGE FROM 1-10 CYCLES BEFORE CLEAN LINT DISPLAY
__M REMAIN	CYCLE DISPLAY TIME
MAIN dOOR	DOOR CIRCUIT IS OPEN OR FAULT IN THE A.C. DOOR SWITCH CIRCUIT
MANUAL CYCLE	MANUAL MODE
MAX ANTI WRINKL GUARd	MAXIMUM GUARD TIME
NFLASH	FLASH DISPLAY NOT ACTIVE
NoAIR FLOW	SAIL SWITCH OPEN
NoANTI WRINKL GUARd	ANTI-WRINKLE PROGRAM <u>IS NOT</u> ACTIVE
NoBUZZ	NO BUZZER (TONE)
NoHEAT	GAS ONLY ... IGNITION ATTEMPT FAILURE
NoREV	NO REVERSE
No ROTATE SENSOR	NO ROTATIONAL SENSOR SELECTED
PROGRM	PROGRAM MODE
REAdY	NO CYCLE IN PROGRESS
ROTATE SENSOR ACTIVE	ROTATIONAL SENSOR SELECTED
ROTATE SENSOR FAIL	ROTATIONAL SENSOR CIRCUIT FAILURE
__RPM	MONITORS TUMBLER (BASKET) RPM WITH ROTATIONAL SENSOR CIRCUIT ACTIVE
SAIL SWITCH FAIL	GAS/ELECTRIC ONLY. ATTEMPT MADE TO START DRYER WITH SAIL SWITCH
	DISABLED IN CLOSED POSITION
SELREV.	SELECT REVERSE
SPIN TIME	SPIN TIME
START GUARd	START ANTI WRINKLE GUARD CYCLE
STEAM	SPECIFIC HEAT TYPE OF DRYER ... STEAM HEATED
STOP TIME	STOP TIME
TEMP SENSOR FAIL CHECK	FAULT IN M.P. HEAT SENSING CIRCUIT
TEMP SENSOR FUSE	

D. COMPUTER LOGIC and WIRING DIAGRAM

1. Operator enters desired selection(s).



2. Information entered is sent to the microcontroller via the keyboard (touchpad).
3. The input information is sorted/processed and executed by the microcomputer chip.
4. The microcomputer output signal activates the contactors and HSI (Hot Surface Ignition) module which control machine functions.

NOTE: When contacting **ADC** with electrical questions, please have on hand the correct wiring diagram number for your particular machine. This number is located on the top right-hand corner of the diagram. It is a six (6) digit number followed by a letter to distinguish the revision dates (refer to illustration).

The wiring diagrams used in Troubleshooting are specifically for dryers manufactured at the time of publishing. Your particular model may vary slightly depending on the date of manufacturing and options available. The correct wiring diagram and number is either taped to the rear of the control door on each dryer, or placed in the control box. If your particular diagram is lost or unreadable, call **ADC** with the serial number of the dryer. **ADC** will be more than happy to send you a diagram by fax or mail.

A. No Display Condition...

1. Check main fuses or circuit breaker.
2. Check blower motor overload...If tripped, reset.
3. Check fuse 1 or fuse 2 and if either are blown, replace.
4. Check to make sure the “EMERGENCY STOP” (E-Stop) button is not depressed.
5. Between pin 1 and ground of the 15 pin connector you **should be** getting 24 V.
6. If no voltage is present at pin 1 and ground, double check **Step #1 through Step #4**.
7. Take voltage reading across the microprocessor 9 pin connector nos. 1 and 2.

If there is voltage, replace the computer.

If there is no voltage, there is a faulty wire(s) or termination(s) between the 15 pin connector and the microprocessor.

NOTE: In this next section **ALL** voltage checks **must be** done in the operating mode with the appropriate microprocessor dot on!! Also appropriate LED (light emitting diode) output light on!!

NOTE: In this next section when checking for voltage you are looking for 24 AC volts unless otherwise specified.

B. Drive motor reverses but does not go forward, blower motor runs...

1. If computer dot (first dot on the left) does not come on, replace the computer.
2. Check for voltage across the coil of the forward contactor located in the rear panel box. The contactor according to your diagram is marked CR2. The coil markings A1 and A2.

If voltage is present, there is a faulty wire(s) or termination(s) between BS2 and contactor coil (CR2).

If there is voltage across the two (2) BS2 terminals and no voltage across the two (2) BS2 terminals, replace the arc suppressor (A.S.) board.

If there is voltage across the two (2) AS2 terminals on the arc suppressor (A.S.) board, the problem is a faulty wire(s) or termination(s) between the AS2 board and the 9 pin computer connector no. 8, or faulty computer.

C. Drive motor works in forward mode but does not reverse, blower motor runs...

1. If computer dot (second one from left) does not come on, check program to see if set for reverse.
2. If set for reverse, replace computer.
3. Check for voltage across the coil of the reversing contactor located in the rear panel box. The contactor according to your diagram is CR3, also the markings on the coil are A1 and A2.

If there is voltage, replace the coil or the complete contactor.

If there is no voltage, check for voltage across the two (2) BS3 terminals on the arc suppressor (A.S.) board.

If there is voltage across the two (2) BS1 terminals and no voltage across the coil of the reversing contactor (A1 and A2), the problem is faulty wire(s) or termination(s) between BS1 and the contactor coil.

4. If there is no voltage between the two (2) BS3 terminals on the arc suppressor (A.S.) board, check for voltage across the two (2) AS3 terminals on the board.

If there is voltage across the two (2) AS3 terminals and no voltage across the two (2) BS3 terminals, replace the arc suppressor (A.S.) board.

If there is no voltage across the two (2) AS3 terminals, the problem is faulty wire(s) or termination(s) between the arc suppressor (A.S.) board and the computer 9 pin connector no. 9, or a faulty computer.

D. Blower motor does not operate, drive motor runs...

1. Check for voltage across terminals A1 and A2 of the impellor contactor. This is the single contactor in the rear control box.

If voltage is present check for voltage across the blower motor. If there is voltage at the blower motor replace the motor.

If there is no voltage at the blower motor, problem is faulty wire(s) or termination(s) between the contactor and the motor.

2. If there is no voltage present at A1 and A2 of the contactor, check for voltage across the two (2) BS1 terminals of the arc suppressor (A.S.) board.

If there is voltage present at the two (2) BS1 terminals, problem is faulty wire(s) or termination(s) between the two (2) BS3 terminals and the coil (A1 and A2) terminals.

If there is no voltage across the two (2) BS1 terminals, check for voltage across the two (2) AS1 terminals.

If there is voltage across the two (2) AS1 terminals and there is no voltage between the two (2) BS1 terminals, replace the arc suppressor (A.S.) board.

3. If there is no voltage across the two (2) AS1 terminals, problem is faulty wire(s) or termination(s) between the two (2) AS1 terminals and the computer board 9 pin connector no. 7, or faulty computer.

E. “No Heat” drive and blower motors run, display reads normal (Gas Models)...

1. Check for voltage across the six pin computer connector between pin 5 and ground.

If no voltage is present, problem is faulty computer or **should be** displaying an error code for an open or faulty heat safety (Sail Switch, Burner Hi-Limit, Tumbler [Basket] Hi-Limit).

2. If voltage is present, check for voltage across HSI (Hot Surface Ignition) module “W” and “GND.”

If no voltage is present, check voltage at pin 5 and 8 of the J2 connector. Which is located in the front electrical box. If voltage is present then problem is a broken wire between 9 pin connector and HSI (Hot Surface Ignition) module or faulty termination.

If no voltage is present, then there is a broken wire between computer and 9 pin connector or faulty termination.

F. “No Heat” drive and blower motors run, display reads normal (Steam Models)...

1. Check for voltage across pin 1 and 2 of the J6 connector.

If no voltage is present, check for voltage on the J10 pin 5 to ground.

2. If voltage is present, problem is a faulty wire or termination. Between pin 5 of the J10 connector to pin 1 of J6 connector.

If no voltage is present, problem is computer board.

G. “Lint Door” condition...

NOTE: Make sure lint drawer is closed. Also, if checking the switch, the plunger *must be* depressed.

Check L.E.D. (light emitting diode) input light “lint door” on component side of the computer. If light is on, replace computer.

1. Check voltage (24 VAC) across 2 pin connector, pin 3 and ground. This connector is located at the lint drawer switch box.

If voltage is present, problem is faulty wire(s) or termination(s) between computer pin #4 of 9 pin connector.

If no voltage is present, check for voltage across the 9 pin modular connector nos. 3 and ground.

If voltage is evident at both points, problem is faulty computer.

H. “Main Door” condition...

NOTE: Make sure main door is closed. Also, if checking the switch, the plunger *must be* depressed.

Check L.E.D. (light emitting diode) input light “main door” on component side of the computer. If light is on, replace computer.

1. Check voltage (24 VAC) across 2 pin connector (J5) between pin 1 and ground.

If voltage is present, problem is faulty wire or termination between the 9 pin computer connector pin 6 and the opposite side of door switch.

If no voltage is present, check for voltage across pin 5 of the 9 pin computer connector and ground.

If there is no voltage at this point then problem is faulty computer.

If there is voltage at this point then problem is broken wire or faulty termination between pin 5 of 9 pin computer connector and pin 1 of J5 connector.

I. Microprocessor reads “Temp Sensor Fuse.”

NOTE: Before continuing with this section check the .125 MA fuse on the computer board.

1. Replace the temperature sensor underneath the tumbler (basket) on a bracket (the bullet shaped device).
2. If it still reads “Temp Sensor Fuse,” unplug the 4 pin connector from the temperature sensor bracket. Also, unplug the microprocessor 4 pin connector from the computer board. Where the white/red striped wire is going into the connector, take a continuity reading across the wire and that same wire from the 4 pin connector that you unplugged earlier in this paragraph.

If there is no continuity, check for break in wire, a short to the ground, loose termination(s), or even replace the wire.

If there is continuity, do the same thing to the black wire right next to the white/red striped wire in the 4 pin connector.

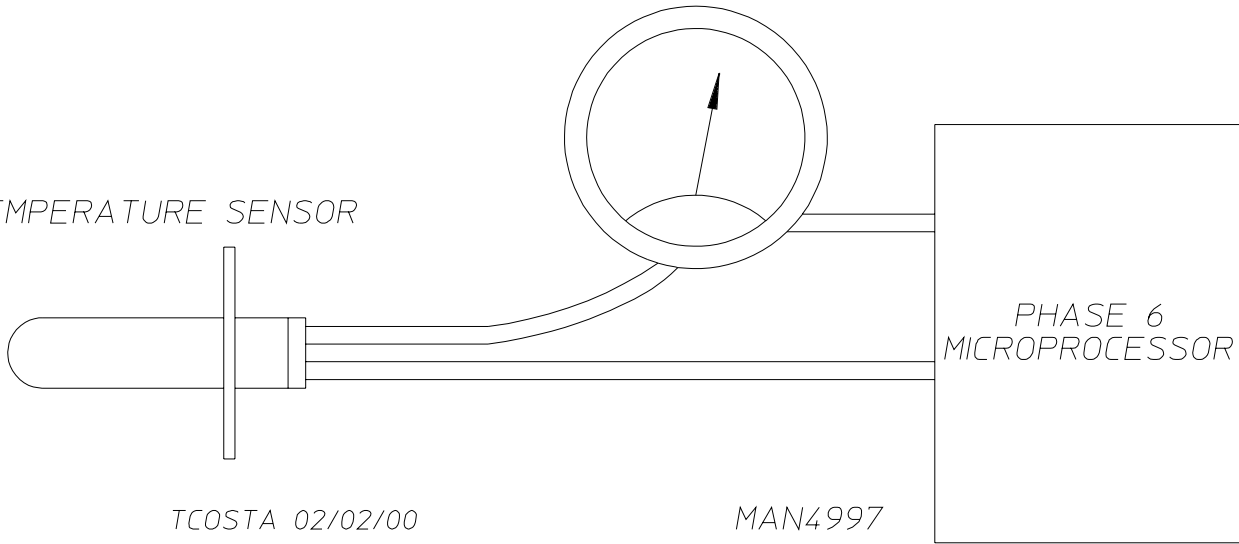
If there is no continuity, check for break in wire, a short to ground, loose termination(s), or even replace the wire.

If there is continuity, computer board is faulty.

- a. To check temperature sensor
 - 1) Place your digital multimeter on diode check range.
 - 2) Place the red lead of your meter on the “black” wire of the temperature sensor and the black lead of your meter on the white lead of your temperature sensor. At this point you should get no response from the meter (infinite). If you get a reading the temp sensor is defective.
 - 3) Reverse leads to temp sensor matching the black of the meter to the “black” wire of the temperature sensor and the red of the meter with the “white” wire of the temperature sensor. At this point you should measure approximately 1.8 V. This is the turn on voltage of the device. If you hold the temp sensor in your hands and warm it, the reading will decrease corresponding to a higher current flow.
 - 4) The Phase 6 Microprocessor Controller (computer) is powered by 24 VAC on pin #12 of the J7 9 pin connector. The temperature sensor probe is a bullet shaped device that is located above the lint basket. This temperature probe is used to sense the temperature in the exhaust of the dryer. The temperature sensor is a two (2) terminal monolithic integrated circuit temperature transducer that provides an output current proportional to absolute temperature. The transducer acts as a high impedance temperature dependant current source of $1\mu A/^{\circ}K$. The typical accuracy of this probe is $\pm 1.5^{\circ} C$ ($\pm 2.7^{\circ} F$). In a case where the temperature reaches $220^{\circ} F$ ($104^{\circ} C$), the Phase 6 microprocessor (computer) will shut down and the L.E.D. (light emitting diode) will display “Hot.” To restart a cycle the “CLEAR/STOP” button **must first be** pressed.

MICRO AMP
CURRENT METER

TEMPERATURE SENSOR



$$^{\circ}\text{F} = \frac{9}{5} (^{\circ}\text{C} + 32)$$

$$^{\circ}\text{C} = \frac{5}{9} (^{\circ}\text{F} - 32)$$

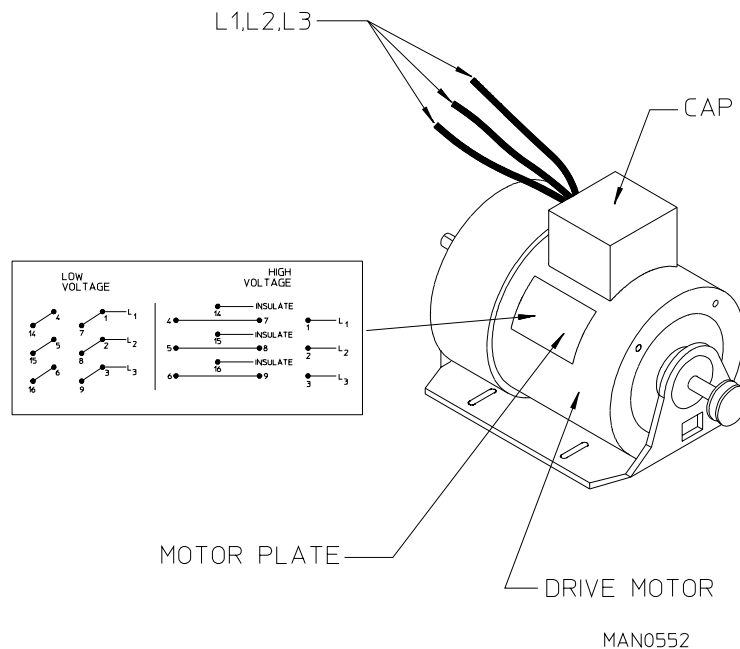
$$\text{TEMPERATURE SENSOR CURRENT} = \frac{^{\circ}\text{C} + ^{\circ}\text{K} (273.15)}{1,000,000} = \text{MICROAMPS } (\mu\text{A})$$

SECTION X

TECHNICAL INFORMATION

The following section contains various technical information important to the service person in servicing and maintaining the dryer.

A. MOTOR PLATE (HIGH and LOW VOLTAGE)



The motor plate is located on the side of the drive motor (refer to illustration) and contains a graphical representation of the motor wiring for both low voltage rating and high voltage rating.

Removing the cap reveals the wiring to the motor. On each wire there is a number which corresponds to the numbers on the motor plate. Depending on whether the dryer is operating on low voltage or high voltage, the wiring should match the motor plate as follows:

The dots and lines represent connections (refer to illustration). **For example:**

On Low Voltage - wire #14 is connected to wire #4

- wire #1 is connected to wire #7, which in turn are both connected to L1

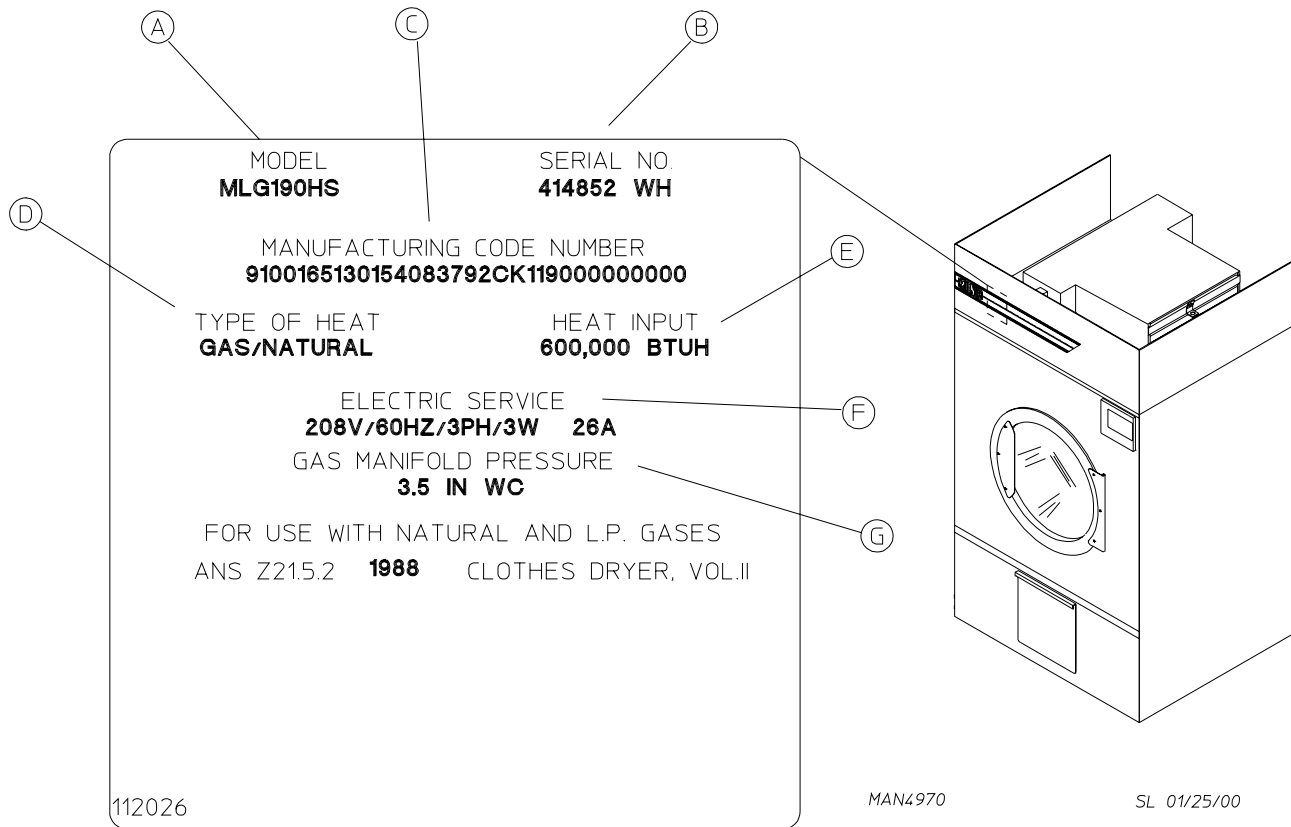
On High Voltage - wire #14 is insulated or capped

- wire #4 is connected to wire #7

- wire #1 is connected to L1

B. DATA LABEL

Contacting **American Dryer Corporation (ADC)**



When contacting **ADC**, certain information is required to insure proper service/parts information. This information is on the data label, located on the top right corner of the dryer, viewed from the rear (refer to illustration). When contacting **ADC**, please have the model number and serial number readily accessible.

Information on the Data Label

- A. Model number — The model number is an **ADC** number which describes the size of the dryer and the type of heat (gas or steam).
- B. Serial number — The serial number allows **ADC** to gather information on your particular dryer.
- C. Manufacturing code number— The manufacturing code number is a number issued by **ADC** which describes **ALL** possible options on your particular model.
- D. Type of heat— Describes the type of heat; gas (natural or L.P.), steam or electric.
- E. Heat input— (For gas dryers) describes the heat input in British Thermal Units.
- F. Electric service— Describes the electric service for your particular models.
- G. Gas manifold pressure— Describe the manifold pressure as taken at the gas valve pressure tap (refer to “Using a Manometer”).

C. USING A MANOMETER

How To Use A Manometer

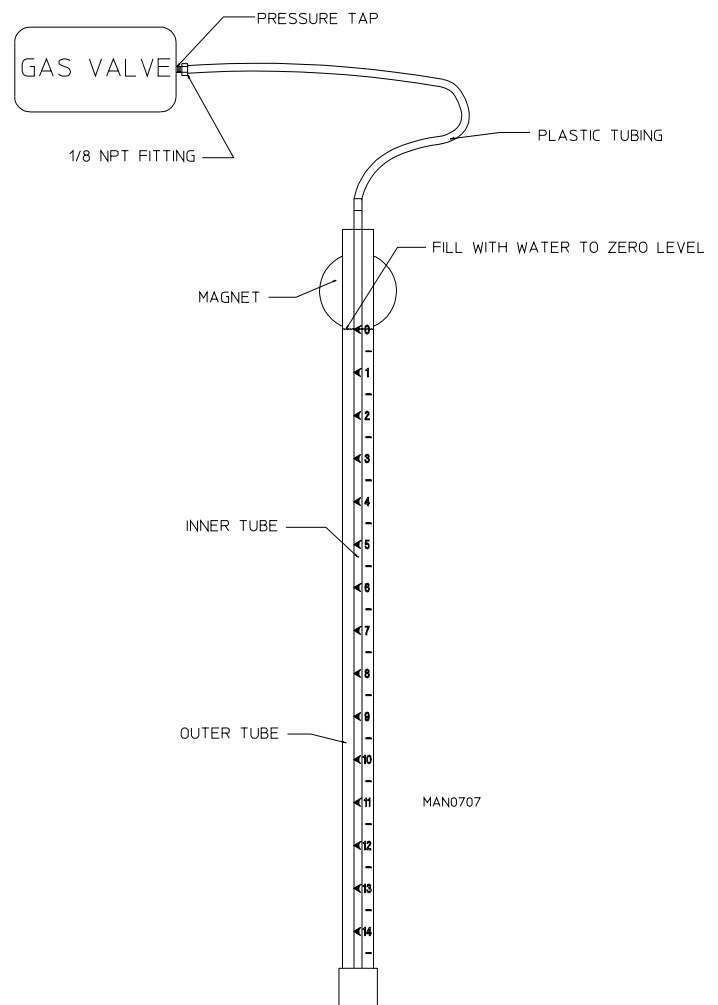
1. With dryer in non-operating mode, remove plug on the gas valve pressure tap.
2. Attach plastic tubing to pressure tap. Fitting is supplied with manometer (refer to illustration).
3. Attach manometer to dryer using magnet.

NOTE: Place manometer in a position so that readings can be taken at eye level.

4. Fill manometer with water, as shown in illustration, to the zero level.
5. Start dryer. With burner on, take a reading.
 - a. Read water level at the inner tube. Readings **should be** taken at eye level.
 - b. Correct readings **should be:**

NATURAL GAS: 3.5 Inches W.C.
L.P. GAS: 10.5 Inches W.C.

6. If water column pressure is incorrect refer to "TO ADJUST GAS PRESSURE."
7. Reverse procedure for removing manometer.



D. TOOL LIST

Straight Head Screwdriver

Phillips Head Screwdriver

Sensor Pin and Socket Tool (P/N 122801)

Pliers

1/4" Nut Driver

3/8" Open End Wrench

5/8" Open End Wrench

5/8" Deep Socket Wrench

3/8" Socket Wrench

1/2" Socket or Open End Wrench

1/4" Open End Wrench

5/16" Socket or Open End Wrench

1/2" Socket Wrench

7/16" Socket or Open End Wrench

5/16" Nut Driver

12" Pipe Wrench (2)

1/8" "T" Shaped or "L" Shaped Allen Wrench

3/16" "T" Shaped or "L" Shaped Allen Wrench

Wire Cutters

1/2" Allen Wrench

3/8" Allen Wrench

Channel Locks

Manometer (ADC P/N 122804)

MP Pin Extraction Tool (ADC P/N 122800)

